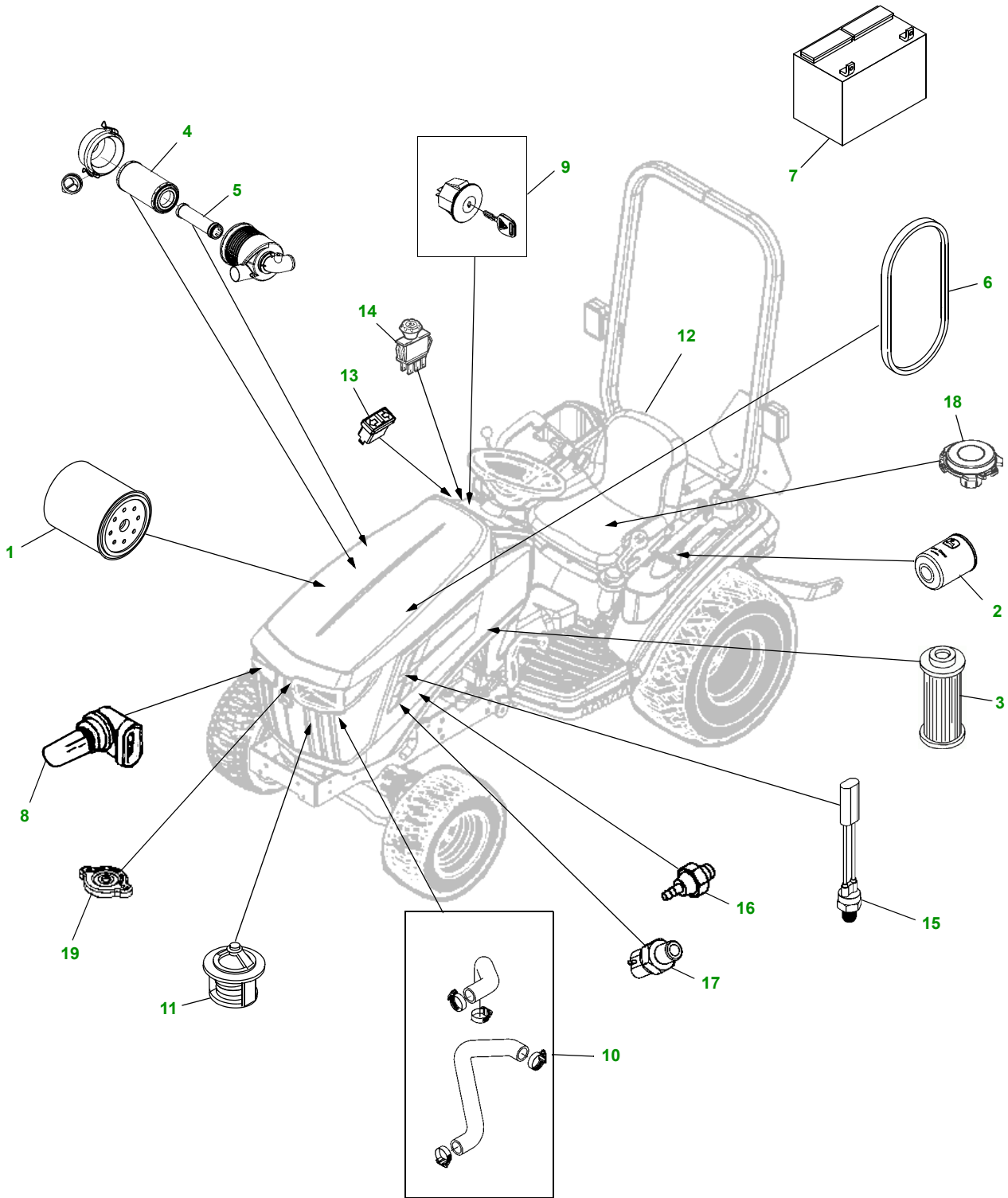


1026R



key	part no.	description	key	part no.	description
1	M806418	ENGINE OIL FILTER		LVU21732	RADIATOR HOSE (LOWER)
2	LVA16054	HYD FILTER		TY22467	HOSE CLAMP
3	M801101	FUEL FILTER ELEMENT	11	M811895	THERMOSTAT - 160°
4	M113621	AIR FILTER ELEMENT - PRIMARY		M812140	THERMOSTAT - 180° - OPTIONAL
5	M123378	AIR FILTER ELEMENT - SECONDARY	12	LVA16946	SEAT
6	M805011	FAN BELT	13	LVA12928	TURN SIGNAL SW
7	TY26498	BATTERY	14	AM118802	PTO SW
8	R136239	HEAD LIGHT BULB	15	AT85152	MBR PTO SW
	AD2062R	TAILLIGHT BULB	16	M809526	OIL PRESSURE SW
	AR48015	TAILLIGHT BULB	17	MIA881067	NEUTRAL START SW
9	GY20680	KEY	18	AET10449	SEAT SW
	AM133596	SWITCH	19	M807428	RADIATOR CAP
10	LVU21721	RADIATOR HOSE (UPPER)			

Parts Needed in First 250 hours of Operation

Qty	Part No	Item	Capacity	Change Interval in Hours
1	M806418	Oil Filter		200
1	TY22008	1 Gal Plus 50 15W40 Engine Oil	2.9 qt	200
2	LVA16054	Transmission Filter		50/200
2	TY6342	5 Gal JD Low Viscosity HyGard Oil	13.0 qt	50/200
3	TY6341	JD Multi Purpose SD Polyurea Grease		As Needed

“As Needed” Parts

Qty	Part No	Item
1	M113621	Air Filter - Primary
1	M123378	Air Filter - Secondary
1	M801101	Fuel Filter Element
1	M805011	Fan Belt
1	GY20680	Key
1	AM123508	Fuel Cap
1	TY26183	Grease Gun