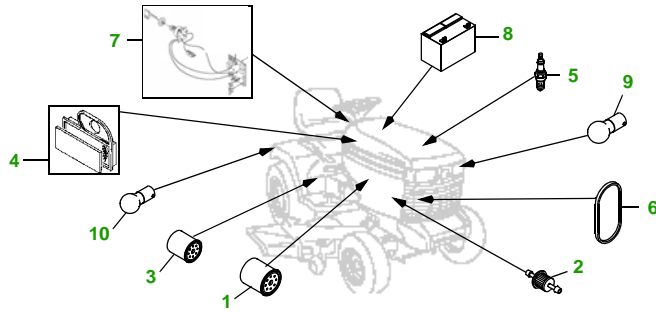


# MAINTENANCE REMINDER SHEET

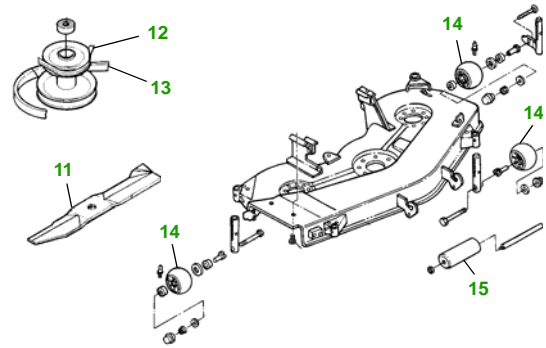
## 325 with 54" Deck

### Lawn & Garden Tractor



Tractor S/N

### 54" Deck



Deck S/N

| Key | Part No. | Description                         |
|-----|----------|-------------------------------------|
| 1   | AM107423 | ENGINE OIL FILTER                   |
| 2   | AM116304 | FUEL FILTER IN-LINE                 |
| 3   | AM120916 | TRANSAXLE OIL FILTER                |
| 4   | MIU10955 | FOAM AIR FILTER ELEMENT             |
|     | M137556  | PAPER AIR FILTER ELEMENT            |
| 5   | M802138  | SPARK PLUG - 17 HP                  |
|     | TY6081   | SPARK PLUG - 18 HP                  |
| 6   | M118048  | BELT - TRACTION DRIVE (S/N —070000) |
|     | M131808  | BELT - TRACTION DRIVE (S/N 070001—) |
| 7   | AM131841 | KEY                                 |
|     | AM122913 | IGNITION MODULE (S/N —070000)       |

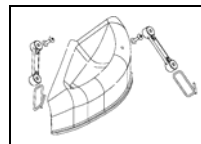
| Key | Part No. | Description                   |
|-----|----------|-------------------------------|
|     | AM132500 | IGNITION MODULE (S/N 070001—) |
| 8   | TY25881  | BATTERY (DRY)                 |
| 9   | AD2062R  | HEADLIGHT BULB                |
| 10  | AR62407  | WARNING LIGHT BULB            |
| 11  | M115496  | BLADE - STANDARD              |
|     | M113518  | BLADE - MULCHING              |
| 12  | M143019  | BELT - PRIMARY                |
| 13  | M118685  | BELT - SECONDARY              |
| 14  | AM133602 | KIT - GAGE WHEEL- FRONT       |
|     | AM125172 | KIT - GAGE WHEEL- REAR        |
| 15  | M113955  | ROLLER                        |

#### Service Recommendations

| Qty | Part No  | Item                                  | Qty or Capacity | Change Interval in Hours |
|-----|----------|---------------------------------------|-----------------|--------------------------|
| 3   | AM107423 | Oil Filter                            | 1               | 25/100/200               |
| 1   | TY22076  | 2 1/2 Gal Turf Gard® 10W30 Engine Oil | 1.8 qt          | 25/100/200               |
| 2   | AM120916 | Transaxle Oil Filter                  | 1               | 50                       |
| 2   | TY22000  | 1 Gal Low Viscosity Hygard            | 4.7 qt          | 50                       |
| 1   | AM116304 | Fuel Filter                           | 1               | 200                      |
| 2   | TY6341   | JD Multi Purpose SD Polyurea Grease   |                 | As Needed                |

#### "As Needed" Parts

| Qty | Part No  | Item                                |
|-----|----------|-------------------------------------|
| 1   | M137555  | Air Filter - Foam                   |
| 1   | M137556  | Air Filter - Paper                  |
| 1   | M806848  | Filter - Transaxle                  |
| 2   | M802138  | Spark Plug - (17 HP)                |
| 2   | TY6081   | Spark Plug - (18 HP)                |
| 3   | M115496  | Blade - Standard                    |
| 3   | M113518  | Blade - Mulching                    |
| 1   | M118048  | Belt - Traction Drive (S/N —070000) |
| 1   | M131808  | Belt - Traction Drive (S/N 070001—) |
| 1   | M143019  | Belt - Primary                      |
| 1   | M118685  | Belt - Secondary                    |
| 1   | AM131841 | Key                                 |
| 1   | AM115497 | Fuel Cap - (S/N —070000)            |
| 1   | AM122880 | Fuel Cap - (S/N 070001—)            |
| 1   | TY130907 | Mower Deck Leveling Gauge           |
| 1   | TY26183  | Grease Gun                          |



Tricycler Mulch Kit .....BM17869

Dealer Name  
 Contact Name  
 Dealer Phone No

#### Home Maintenance Kit



| Unit | Kit Number   |
|------|--|
| 325  | LG185<br>(S/N —070000)<br>or<br>LG195<br>(S/N 070001—) |

