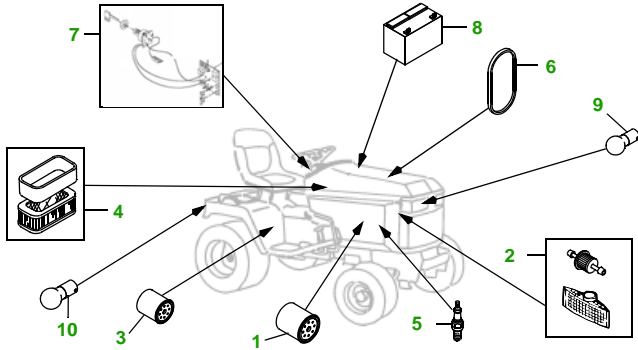


# MAINTENANCE REMINDER SHEET

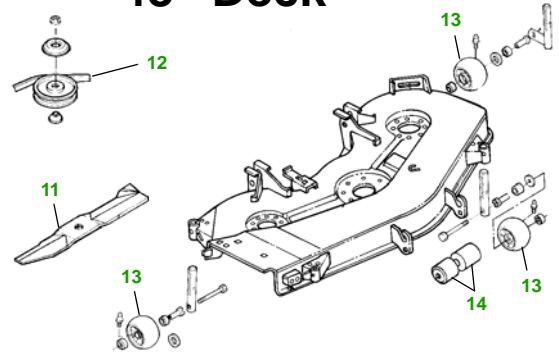
## 425 with 48" Deck

### Lawn & Garden Tractor



Tractor S/N

### 48" Deck



Deck S/N

Key	Part No.	Description
1	AM107423	ENGINE OIL FILTER
2	AM116304	FUEL FILTER IN-LINE
	M111816	FUEL PUMP FILTER
3	AM116156	TRANSAXLE OIL FILTER
4	M76076	FOAM AIR FILTER ELEMENT
	M117254	PAPER AIR FILTER ELEMENT
5	AM101194	SPARK PLUG (ENG - ASO2,BSO2,CSO2, DSO2,ESO2, FSO2)
	M805853	SPARK PLUG (ENG - GSO2)
6	M97340	BELT - FAN
7	AM131841	KEY

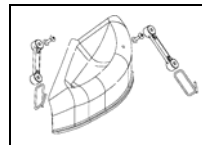
Key	Part No.	Description
	AM120819	IGNITION SWITCH
8	TY25221	BATTERY (DRY)
9	AD2062R	HEADLIGHT BULB
10	AR62407	WARNING LIGHT BULB
11	M115495	BLADE - STANDARD
	M76466	BLADE - HIGH LIFT
12	M112268	BELT
13	AM117478	KIT - GAGE WHEEL - YELLOW
	AM125172	KIT - GAGE WHEEL - BLACK
14	M113955	ROLLER

#### Service Recommendations

Qty	Part No	Item	Qty or Capacity	Change Interval in Hours
2	AM107423	Oil Filter	1	50/200
1	TY22076	2 1/2 Gal Turf Gard® 10W30 Engine Oil	1.5 qt	50/200
2	AM116156	Transaxle Oil Filter	1	50/200
4	TY22000	1 Gal Low Viscosity Hygard	7.0 qt 2WS 6.0 qt AWS	50/200
1	AM116304	Fuel Filter	1	250
1	M76076	Air Filter - Foam	1	200
1	M117254	Air Filter - Paper	1	200
2	TY6341	JD Multi Purpose SD Polyurea Grease		As Needed

#### "As Needed" Parts

Qty	Part No	Item
2	AM101194	Spark Plug - (Eng - ASO2,BSO2,CSO2, DSO2,ESO2, FSO2)
2	M805853	Spark Plug - (Eng - GS02)
3	M115495	Blade - Standard
3	M76466	Blade - High Lift
1	M97340	Belt - Fan
1	M112268	Belt - Mower
1	AM131841	Key
1	AM115497	Fuel Cap
1	TY130907	Mower Deck Leveling Gauge
1	TY26183	Grease Gun



Tricycler Mulch Kit..... BM17868

Dealer Name  
Contact Name  
Dealer Phone No

#### Home Maintenance Kit



Unit	Kit Number
425	LG187 (S/N —090419) or LG237 (S/N 090420—)



JOHN DEERE