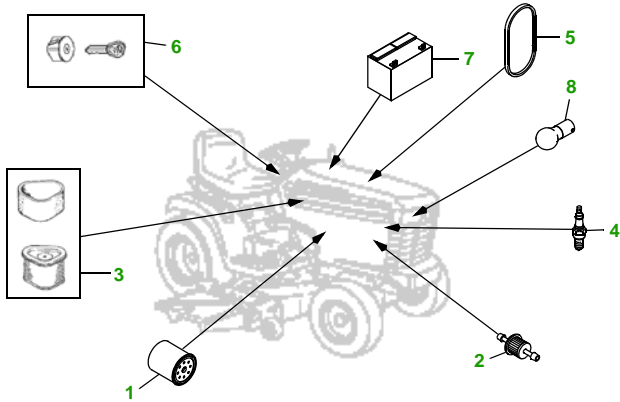


MAINTENANCE REMINDER SHEET

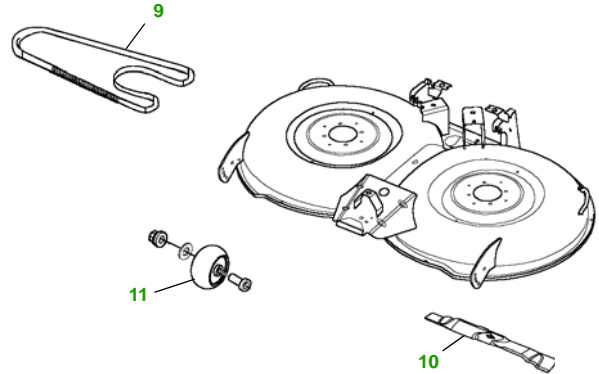
LT150 with 42M Freedom Deck

Lawn Tractor



Tractor S/N

42" Mulching Deck



Deck S/N

Key	Part No.	Description
1	AM125424	OIL FILTER
2	AM107314	FUEL FILTER - IN-LINE
3	GY20574	AIR FILTER KIT
4	M78543	SPARK PLUG
5	M144570	BELT - TRACTION DRIVE - GEAR
	M144044	BELT - TRACTION DRIVE - HYDRO
6	GY20680	KEY - PADDED
	AM132807	IGNITION SWITCH

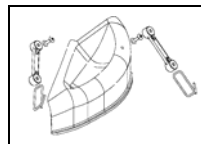
Key	Part No.	Description
7	TY25878	BATTERY
8	AD2062R	HALOGEN HEADLIGHT BULB
9	M128733	BELT - DRIVE
	M150717	BELT - TIMING
10	AM130172	BLADE - KIT
11	AM133602	GAGE WHEEL

Service Recommendations

"As Needed" Parts

Qty	Part No	Item	Qty or Capacity	Change Interval in Hours
6	AM125424	Engine Oil Filter	1	5/50/100/150/200/250
2	TY22076	2 1/2 GAL. Engine Oil Turf Gard® 10W30	2.0 qt	5/50/100/150/200/250
2	AM107314	Fuel Filter	1	100/200
2	GY20574	Air Filter	1	100/200
2	TY6341	JD Multi Purpose SD Polyurea Grease		As Needed

Qty	Part No	Item
2	M78543	Spark Plug
1	M144570	Belt - Traction Drive - Gear
1	M144044	Belt - Traction Drive - Hydro
1	M128733	Belt - Drive
1	M150717	Belt - Timing
1	AM130172	Blade - Kit
1	GY20680	Key Padded
1	AM122880	Fuel Cap
1	TY15272	Mower Deck Leveling Gauge
1	TY15410	Grease Gun



Mulch Kit N/A

Dealer Name
 Contact Name
 Dealer Phone No



Home Maintenance Kit

Unit	Kit Number
LT150	LG191

