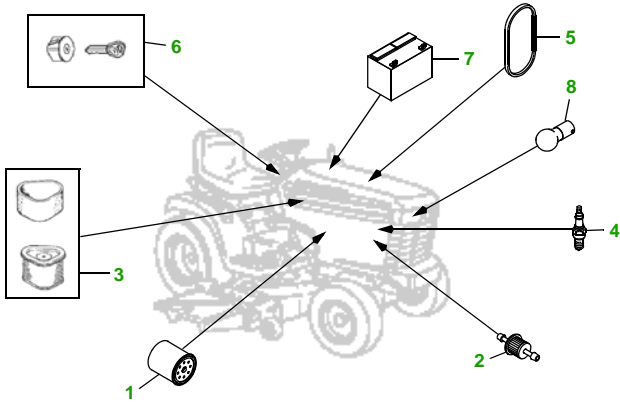


MAINTENANCE REMINDER SHEET

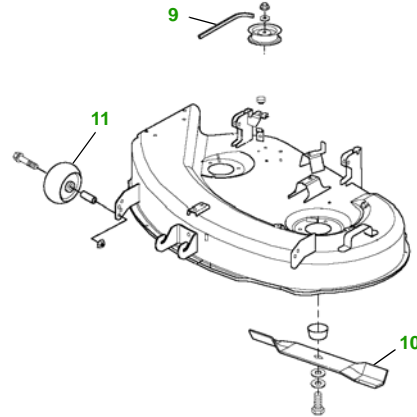
LT155 with 38" Deck

Lawn Tractor



Tractor S/N

38" Deck



Deck S/N

Key	Part No.	Description
1	AM125424	OIL FILTER
2	AM107314	FUEL FILTER - IN-LINE
3	GY20574	AIR FILTER KIT
4	M78543	SPARK PLUG
5	M126009	BELT - TRACTION DRIVE
6	GY20680	KEY - PADDED
	AM132808	IGNITION SWITCH (S/N —125000)
	AM13280	IGNITION SWITCH (S/N 125001—)

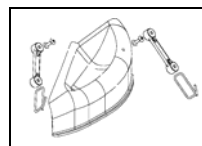
Key	Part No.	Description
7	TY25878	BATTERY
8	AD2062R	HALOGEN HEADLIGHT BULB
9	M126536	BELT
10	M82408	BLADE - LOW LIFT
	AM137324	KIT - SIDE DISCHARGE BLADE - STANDARD
	AM137326	KIT - BAGGING BLADE
11	AM116299	GAGE WHEEL

Service Recommendations

"As Needed" Parts

Qty	Part No	Item	Qty or Capacity	Change Interval in Hours
6	AM125424	Engine Oil Filter	1	5/50/100/150/200/250
2	TY22076	2 1/2 GAL. Engine Oil Turf Gard® 10W30	1.9 qt	5/50/100/150/200/250
2	AM107314	Fuel Filter	1	100/200
2	GY20574	Air Filter	1	100/200
2	TY6341	JD Multi Purpose SD Polyurea Grease		As Needed

Qty	Part No	Item
2	M78543	Spark Plug
1	M126009	Belt - Traction Drive
1	M126536	Belt - Mower Deck
2	M82408	Blade -Low Lift
1	AM137324	Kit - Side Discharge Blade - Standard
1	AM137326	Kit - Bagging Blade
1	AM131946	Key Padded
1	AM122880	Fuel Cap
1	TY15272	Mower Deck Leveling Gauge
1	TY15410	Grease Gun



Tricyclic Mulch Kit.....BM21817

Dealer Name
Contact Name
Dealer Phone No



Home Maintenance Kit

Unit	Kit Number
LT155	LG191

