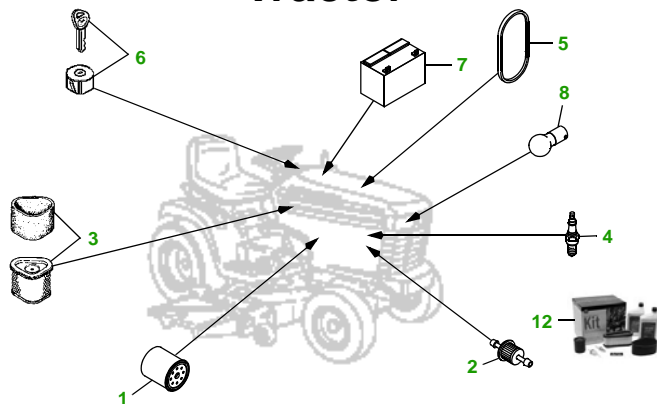


MAINTENANCE REMINDER SHEET

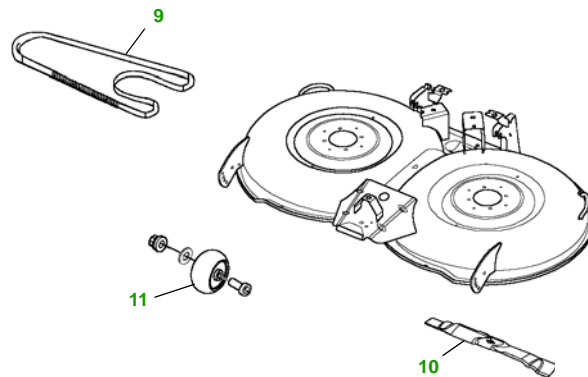
LT155 with 42M Freedom Deck

Tractor



Tractor S/N

42" Mulching Deck



Deck S/N

Key	Part No.	Description
1	GY20577	OIL FILTER
2	AM107314	FUEL FILTER - IN-LINE
3	GY20574	AIR FILTER KIT
4	M78543	SPARK PLUG
5	M126009	BELT - TRACTION DRIVE
6	GY20680	KEY - PADDED
	AM132808	IGNITION SWITCH (S/N —125000)
	AM132807	IGNITION SWITCH (S/N 125001—)

Key	Part No.	Description
7	TY25878	BATTERY
8	AD2062R	HALOGEN HEADLIGHT BULB
9	M127926	BELT- TIMING (S/N —125000)
	M150717	BELT- TIMING (S/N 125001—)
	M128733	BELT - DRIVE
10	AM130172	BLADE - KIT
11	AM133602	KIT - GAGE WHEEL
12	LG191	HOME MAINTENANCE KIT

Service Recommendations

Qty	Part No	Item	Qty or Capacity	Change Interval in Hours
6	GY20577	Engine Oil Filter	1	5/50/100/150/200/250
12	TY22029	1 Qt. Turf Gard® 10W30 Engine Oil	1.9 qt	5/50/100/150/200/250
2	AM107314	Fuel Filter	1	100/200
2	GY20574	Air Filter	1	100/200
2	TY6341	JD Multi Purpose SD Polyurea Grease		As Needed

"As Needed" Parts

Qty	Part No	Item
1	AM122880	Fuel Cap
1	TY130907	Mower Deck Leveling Gauge
1	TY26183	Grease Gun

TO BUY PARTS VISIT:

- www.johndeerepartshop.com

JOHNDEEREPARTSHOP.COM

FOR ON-LINE PARTS ASSISTANCE:

- www.deere.com
 - Click on **Residential**
 - Click on **Parts**
 - Click on **Search Parts Catalog**



JOHN DEERE

FOR ON-LINE SERVICE ASSISTANCE:

- www.readytomow.com



Dealer Name
 Contact Name
 Dealer Phone No