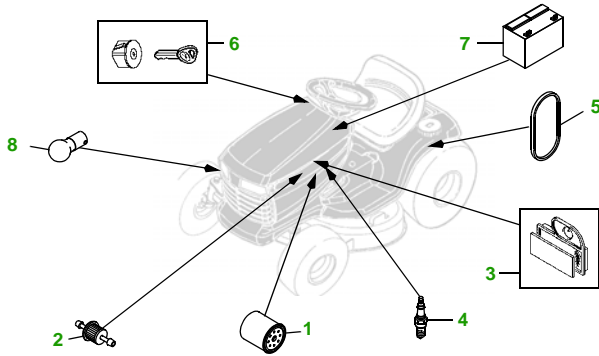


MAINTENANCE REMINDER SHEET

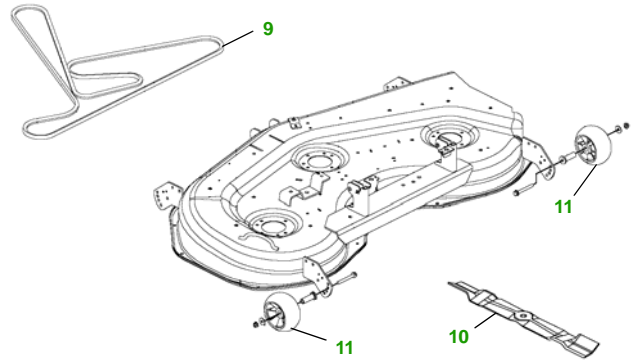
LT190 with 48C Deck

Lawn Tractor



Tractor S/N

48" Convertible Deck



Deck S/N

Key	Part No.	Description
1	AM107423	OIL FILTER
2	AM116304	FUEL FILTER - IN-LINE
3	MIU10955	AIR FILTER FOAM
	M137556	AIR FILTER - PAPER
4	TY6081	SPARK PLUG
5	M144044	BELT - TRACTION DRIVE
6	GY20680	KEY - PADDED
	AM133596	IGNITION SWITCH

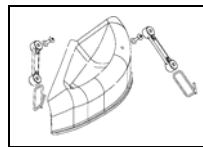
Key	Part No.	Description
7	TY25878	BATTERY
8	AD2062R	HALOGEN HEADLIGHT BULB
9	M151649	BELT
10	M145476	BLADE - STANDARD
	M127673	BLADE - MULCHING
11	AM133602	GAGE WHEEL

Service Recommendations

"As Needed" Parts

Qty	Part No	Item	Qty or Capacity	Change Interval in Hours
6	AM107423	Engine Oil Filter	1	5/50/100/150/200/250
2	TY22076	2 1/2 GAL. Engine Oil Turf Gard® 10W30	1.9 qt	5/50/100/150/200/250
2	AM116304	Fuel Filter	1	100/200
2	MIU10955	Air Filter- Foam	1	100/200
2	M137956	Air Filter- Paper	1	100/200
2	TY6341	JD Multi Purpose SD Polyurea Grease		As Needed

Qty	Part No	Item
2	TY6081	Spark Plug
1	M144044	Belt - Traction Drive
1	M151649	Belt - Mower Deck
3	M145476	Blade -Standard
3	M127673	Blade -Mulching
1	GY20680	Key Padded
1	AM122880	Fuel Cap
1	TY15272	Mower Deck Leveling Gauge
1	TY15410	Grease Gun



Mulch Kit BM19868

Dealer Name
Contact Name
Dealer Phone No



Home Maintenance Kit

Unit	Kit Number
LT190	LG196

