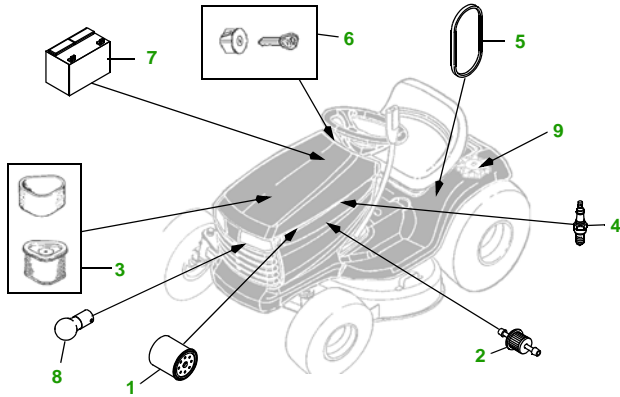


MAINTENANCE REMINDER SHEET

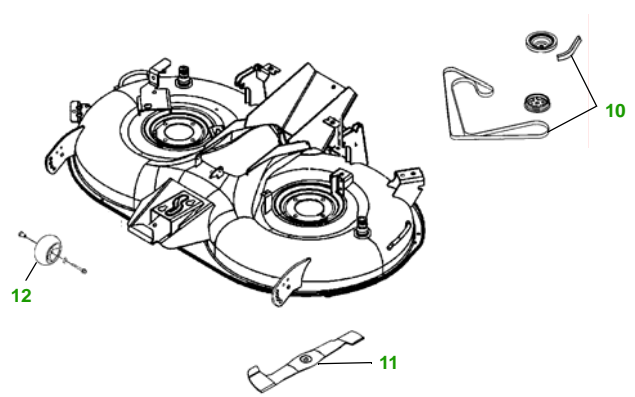
LTR155 with 42" Deck

Lawn Tractor



Tractor S/N

42" Deck



Deck S/N

Key	Part No.	Description
1	AM125424	OIL FILTER
2	AM107314	FUEL FILTER - IN-LINE
3	GY20574	AIR FILTER KIT
4	M78543	SPARK PLUG
5	M135507	BELT - TRACTION DRIVE
6	AM123426	KEY
	AM122881	IGNITION SWITCH (S/N —030000)
	AM130241	IGNITION SWITCH (S/N 030001—)

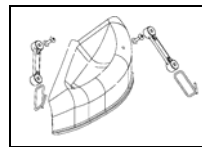
Key	Part No.	Description
7	TY25220	BATTERY
8	AD2062R	HALOGEN HEADLIGHT BULB
9	AM122880	FUEL CAP
10	M136298	BELT- PRIMARY
	M150718	BELT- SECONDARY
11	AM131560	BLADE - KIT (STANDARD)
	AM131569	BLADE - KIT (MULCH)
12	AM133602	GAGE WHEEL

Service Recommendations

"As Needed" Parts

Qty	Part No	Item	Qty or Capacity	Change Interval in Hours
6	AM125424	Engine Oil Filter	1	5/50/100/150/200/250
2	TY22076	2 1/2 GAL. Engine Oil Turf Gard® 10W30	1.9 qt	5/50/100/150/200/250
2	AM107314	Fuel Filter	1	100/200
2	GY20574	Air Filter	1	100/200
2	TY6341	JD Multi Purpose SD Polyurea Grease		As Needed

Qty	Part No	Item
2	M78543	Spark Plug
1	M126009	Belt - Traction Drive
1	M128733	Belt - Mower Drive
1	M127926	Belt -Timing (S/N —125000)
1	M150717	Belt -Timing (S/N 125001—)
1	AM130172	Blade - Kit
1	AM131946	Key Padded
1	AM122880	Fuel Cap
1	TY15272	Mower Deck Leveling Gauge
1	TY15410	Grease Gun



Mulch Plug Kit.....BM20686

Dealer Name
Contact Name
Dealer Phone No



Home Maintenance Kit

Unit	Kit Number
LTR155	LG191

