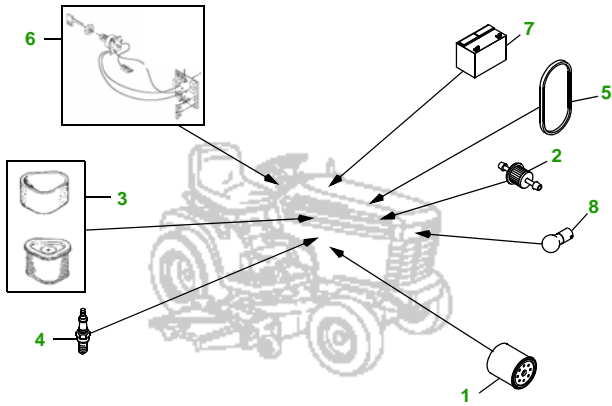


MAINTENANCE REMINDER SHEET

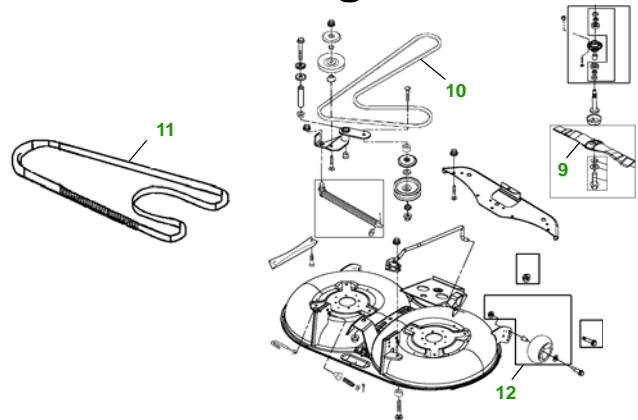
LX277AWS with 42M Deck

Lawn Tractor



Tractor S/N

42" Mulching Deck



Deck S/N

| Key | Part No. | Description |
|-----|----------|-------------------------------------|
| 1 | AM107423 | OIL FILTER |
| 2 | AM116304 | FUEL FILTER - IN-LINE |
| 3 | MIU10955 | FOAM AIR FILTER ELEMENT |
| | M137556 | PAPER AIR FILTER ELEMENT |
| 4 | TY6081 | SPARK PLUG |
| 5 | M127524 | BELT - TRACTION DRIVE (S/N —060000) |
| | M147044 | BELT - TRACTION DRIVE (S/N 060001—) |
| 6 | AM131841 | KEY - PADDED |
| | AM132500 | IGNITION SWITCH |

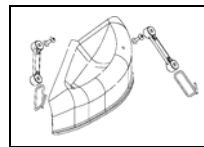
| Key | Part No. | Description |
|-----|----------|------------------------|
| 7 | TY25881 | BATTERY |
| 8 | AD2062R | HALOGEN HEADLIGHT BULB |
| 9 | AM130172 | BLADE - KIT |
| 10 | M140502 | BELT - PRIMARY |
| 11 | M150717 | BELT - SECONDARY |
| 12 | AM133602 | KIT - GAGE WHEEL |

Service Recommendations

"As Needed" Parts

| Qty | Part No | Item | Qty or Capacity | Change Interval in Hours |
|-----|----------|---|-----------------|--------------------------|
| 4 | AM107423 | Engine Oil Filter | 1 | 25/50/150/250 |
| 1 | TY22076 | 2 1/2 GAL. Engine Oil Turf Gard @ 10W30 | 1.9 qt | 25/50/150/250 |
| 1 | AM116304 | Fuel Filter | 1 | 200 |
| 2 | TY6341 | JD Multi Purpose SD Polyurea Grease | | As Needed |

| Qty | Part No | Item |
|-----|----------|-------------------------------------|
| 1 | AM116304 | Fuel Filter |
| 1 | MIU10955 | Air Filter - Foam |
| 1 | M137556 | Air Filter - Paper |
| 2 | TY6081 | Spark Plug |
| 1 | AM130172 | Blade - Kit |
| 1 | M127524 | Belt - Traction Drive (S/N —060000) |
| 1 | M147044 | Belt - Traction Drive (S/N 060001—) |
| 1 | M140502 | Belt - Primary |
| 1 | M150717 | Belt - Secondary |
| 1 | AM131841 | Key Padded |
| 1 | AM115497 | Fuel Cap |
| 1 | TY15272 | Mower Deck Leveling Gauge |
| 1 | TY15410 | Grease Gun |



Mulch Kit N/A

Dealer Name
Contact Name
Dealer Phone No



Home Maintenance Kit

| Unit | Kit Number |
|----------|------------|
| LX277AWS | LG195 |

