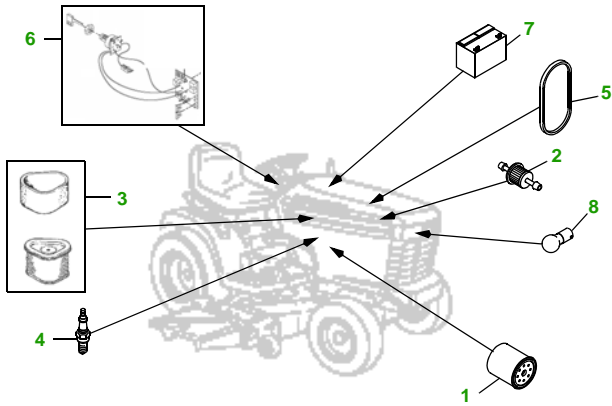


# MAINTENANCE REMINDER SHEET

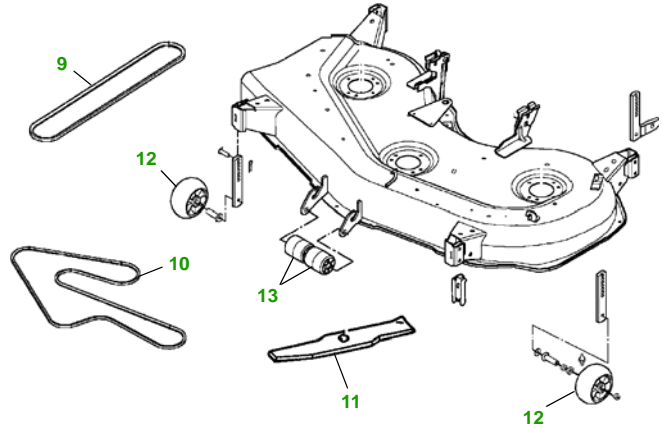
## LX277AWS with 48C Deck

### Lawn Tractor



Tractor S/N

### 48" Convertible Deck



Deck S/N

| Key | Part No. | Description                         |
|-----|----------|-------------------------------------|
| 1   | AM107423 | OIL FILTER                          |
| 2   | AM116304 | FUEL FILTER - IN-LINE               |
| 3   | MIU10955 | FOAM AIR FILTER ELEMENT             |
|     | M137556  | PAPER AIR FILTER ELEMENT            |
| 4   | TY6081   | SPARK PLUG                          |
| 5   | M127524  | BELT - TRACTION DRIVE (S/N —060000) |
|     | M147044  | BELT - TRACTION DRIVE (S/N 060001—) |
| 6   | AM131841 | KEY - PADDED                        |
|     | AM132500 | IGNITION SWITCH                     |

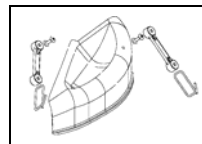
| Key | Part No. | Description            |
|-----|----------|------------------------|
| 7   | TY25881  | BATTERY                |
| 8   | AD2062R  | HALOGEN HEADLIGHT BULB |
| 9   | M143019  | BELT - PRIMARY         |
| 10  | M154958  | BELT - SECONDARY       |
| 11  | M145476  | BLADE - STANDARD       |
|     | M127673  | BLADE - MULCHING       |
| 12  | AM133602 | GAGE WHEEL - FRONT     |
|     | AM125172 | GAGE WHEEL - REAR      |
| 13  | M113955  | ROLLER                 |

### Service Recommendations

| Qty | Part No  | Item                                    | Qty or Capacity | Change Interval in Hours |
|-----|----------|-----------------------------------------|-----------------|--------------------------|
| 4   | AM107423 | Engine Oil Filter                       | 1               | 25/50/150/250            |
| 1   | TY22076  | 2 1/2 GAL. Engine Oil Turf Gard @ 10W30 | 1.9 qt          | 25/50/150/250            |
| 1   | AM116304 | Fuel Filter                             | 1               | 200                      |
| 2   | TY6341   | JD Multi Purpose SD Polyurea Grease     |                 | As Needed                |

### "As Needed" Parts

| Qty | Part No  | Item                                |
|-----|----------|-------------------------------------|
| 1   | AM116304 | Fuel Filter                         |
| 1   | M137555  | Air Filter - Foam                   |
| 1   | M137556  | Air Filter - Paper                  |
| 2   | TY6081   | Spark Plug                          |
| 1   | M127524  | Belt - Traction Drive (S/N —060000) |
| 1   | M147044  | Belt - Traction Drive (S/N 060001—) |
| 1   | M143019  | Belt - Primary                      |
| 1   | M154958  | Belt - Secondary                    |
| 3   | M145476  | Blade - Standard                    |
| 3   | M127673  | Blade - Mulching                    |
| 1   | AM131841 | Key Padded                          |
| 1   | AM115497 | Fuel Cap                            |
| 1   | TY15272  | Mower Deck Leveling Gauge           |
| 1   | TY15410  | Grease Gun                          |



Mulch Kit ..... BM19868

Dealer Name  
Contact Name  
Dealer Phone No



### Home Maintenance Kit

| Unit     | Kit Number |
|----------|------------|
| LX277AWS | LG195      |

