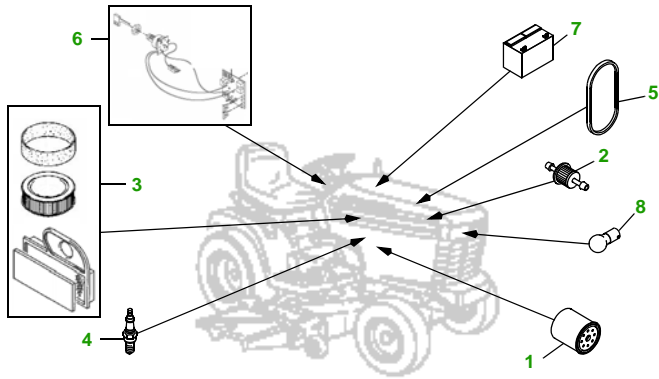


MAINTENANCE REMINDER SHEET

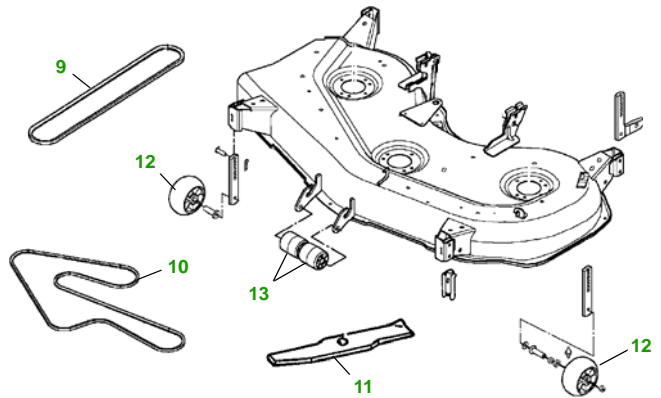
LX288 with 48C Deck

Lawn Tractor



Tractor S/N

48" Convertible Deck



Deck S/N

Key	Part No.	Description
1	AM125424	ENGINE OIL FILTER (BRIGGS)
	AM107423	ENGINE OIL FILTER (KAWASAKI)
2	AM116304	FUEL FILTER IN-LINE
3	LG272490S	FOAM FILTER ELEMENT (BRIGGS)
	MIU10955	FOAM FILTER ELEMENT (KAWASAKI)
	LG394018JD	PAPER FILTER ELEMENT (BRIGGS)
	M137556	PAPER FILTER ELEMENT (KAWASAKI)
4	M78543	SPARK PLUG (BRIGGS)
	TY6081	SPARK PLUG (KAWASAKI)
5	M146667	BELT - TRACTION DRIVE

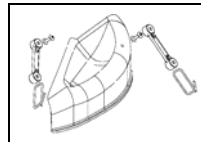
Key	Part No.	Description
6	AM131841	KEY - PADDED
	AM132500	IGNITION MODULE
7	TY25881	BATTERY
8	AD2062R	HALOGEN HEADLIGHT BULB
9	M143019	BELT - PRIMARY
10	M154958	BELT - SECONDARY
11	M145476	BLADE - STANDARD
	M127673	BLADE - MULCHING
12	AM133602	GAGE WHEEL - FRONT
	AM125172	GAGE WHEEL - REAR
13	M113955	ROLLER

Service Recommendations

Qty	Part No	Item	Qty or Capacity	Change Interval in Hours
4	AM125424	Engine Oil Filter (Briggs)	1	25/50/150/250
4	AM107423	Engine Oil Filter (Kawasaki)	1	25/50/150/250
1	TY22076	2 1/2 GAL. Engine Oil Turf Gard ® 10W30	1.8 qt	25/50/150/250
1	AM116304	Fuel Filter	1	200
2	TY6341	JD Multi Purpose SD Polyurea Grease		As Needed

"As Needed" Parts

Qty	Part No	Item
1	LG272490S	Air Filter - Foam (Briggs)
1	MIU10955	Air Filter - Foam (Kawasaki)
1	LG394018JD	Air Filter - Paper (Briggs)
1	M137556	Air Filter - Paper (Kawasaki)
2	M78543	Spark Plug (Briggs)
2	TY6081	Spark Plug (Kawasaki)
1	M146667	Belt - Traction Drive
1	M143019	Belt - Primary
1	M154958	Belt - Secondary
3	M145476	Blade - Standard
3	M127673	Blade - Mulching
1	AM131841	Key Padded
1	AM123507	Fuel Cap
1	TY15272	Mower Deck Leveling Gauge
1	TY15410	Grease Gun



Mulch Kit BM19868

Dealer Name
Contact Name
Dealer Phone No



Home Maintenance Kit

Unit	Kit Number
LX288	LG190 - Briggs
	LG195 - Kawasaki



JOHN DEERE