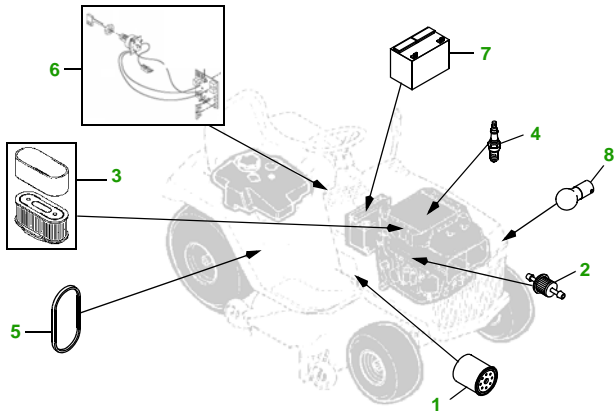


MAINTENANCE REMINDER SHEET

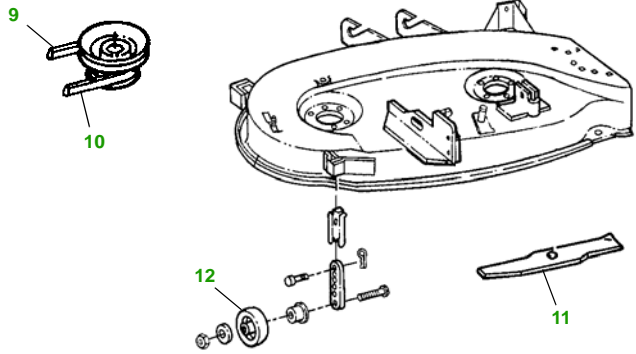
LX289 with 38" Deck

Lawn Tractor



Tractor S/N

38" Deck



Deck S/N

Key	Part No.	Description
1	AM107423	ENGINE OIL FILTER
2	AM116304	FUEL FILTER IN-LINE
3	M76076	FOAM AIR FILTER ELEMENT
	M76077	PAPER AIR FILTER ELEMENT
4	M138938	SPARK PLUG
5	M147044	BELT - TRACTION DRIVE
6	AM131841	KEY - PADDED
	AM132500	IGNITION SWITCH

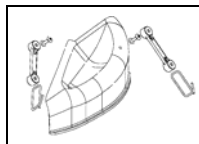
Key	Part No.	Description
7	TY25881	BATTERY
8	AD2062R	HALOGEN HEADLIGHT BULB
9	M117608	BELT - PRIMARY
10	M82462	BELT - SECONDARY
11	M82408	BLADE - LOW LIFT
	AM137324	KIT - SIDE DISCHARGE BLADE - STANDARD
	AM137326	KIT - BAGGING BLADE
12	M111489	GAGE WHEEL

Service Recommendations

"As Needed" Parts

Qty	Part No	Item	Qty or Capacity	Change Interval in Hours
4	AM107423	Engine Oil Filter	1	25/50/150/250
1	TY22076	2 1/2 GAL. Engine Oil Turf Gard® 10W30	1.9 qt	25/50/150/250
1	TY25081	1 Gal Cool Gard Coolant	2.8 qt	200
1	AM116304	Fuel Filter	1	200
2	TY6341	JD Multi Purpose SD Polyurea Grease		As Needed

Qty	Part No	Item
1	M76076	Air Filter - Foam
1	M76077	Air Filter - Paper
2	M138938	Spark Plug
1	M147044	Belt - Traction Drive
1	M117608	Belt - Primary
1	M82462	Belt - Secondary
2	M82408	Blade - Low Lift
1	AM137324	Kit - Side Discharge Blade - Standard
1	AM137326	Kit - Bagging Blade
1	AM131841	Key Padded
1	AM123507	Fuel Cap
1	TY15272	Mower Deck Leveling Gauge
1	TY15410	Grease Gun



Tricyclic Mulch KitBM20496

Dealer Name
Contact Name
Dealer Phone No



Home Maintenance Kit

Unit	Kit Number
LX289	LG195

