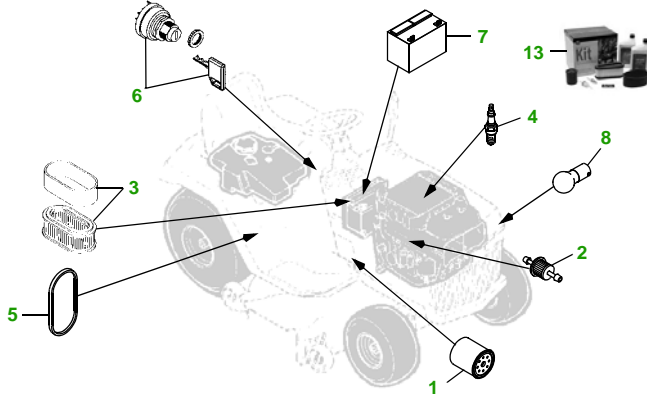


MAINTENANCE REMINDER SHEET

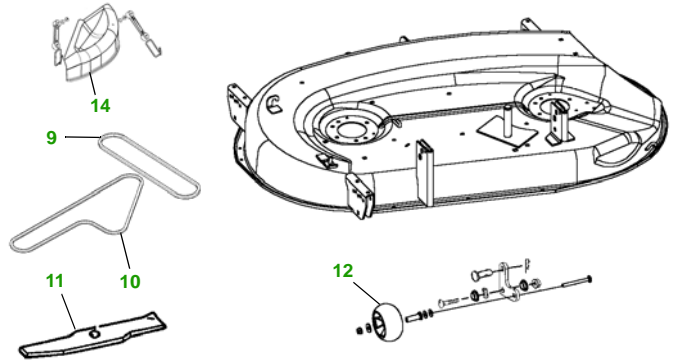
LX289 with 42C Deck

Lawn Tractor



Tractor S/N

42" Convertible Deck



Deck S/N

Key	Part No.	Description
1	AM107423	ENGINE OIL FILTER
2	GY20709	FUEL FILTER - IN-LINE
3	M76076	FOAM AIR FILTER ELEMENT
	MIU10778	PAPER AIR FILTER ELEMENT
4	M138938	SPARK PLUG
5	M147044	BELT - TRACTION DRIVE
6	AM131841	KEY - PADDED
	AM132500	IGNITION SWITCH
7	TY25881	BATTERY

Key	Part No.	Description
8	AD2062R	HALOGEN HEADLIGHT BULB
9	M143019	BELT - PRIMARY
10	M43820	BELT - SECONDARY
11	M148613	BLADE - STANDARD
	M139975	BLADE - MULCHING
12	AM133602	GAGE WHEEL
13	LG197	HOME MAINTENANCE KIT
14	BM20008	MULCH KIT

Service Recommendations

Qty	Part No	Item	Qty or Capacity	Change Interval in Hours
4	AM107423	Engine Oil Filter	1	25/50/150/250
8	TY22029	1 Qt. Turf Gard® 10W30 Engine Oil	1.9 qt	25/50/150/250
1	TY25081	1 Gal Cool Gard Coolant	2.8 qt	200
1	GY20709	Fuel Filter	1	200
2	TY6341	JD Multi Purpose SD Polyurea Grease		As Needed

"As Needed" Parts

Qty	Part No	Item
1	AM123507	Fuel Cap
1	TY130907	Mower Deck Leveling Gauge
1	TY26183	Grease Gun

TO BUY PARTS VISIT:

- www.johndeerepartshop.com

JOHNDEEREPARTSHOP.COM

FOR ON-LINE PARTS ASSISTANCE:

- www.deere.com
 - Click on **Residential**
 - Click on **Parts**
 - Click on **Search Parts Catalog**



JOHN DEERE

FOR ON-LINE SERVICE ASSISTANCE:

- www.readytomow.com



Dealer Name
Contact Name
Dealer Phone No