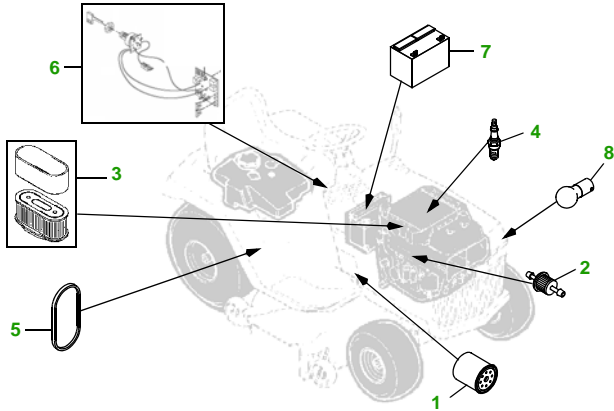


MAINTENANCE REMINDER SHEET

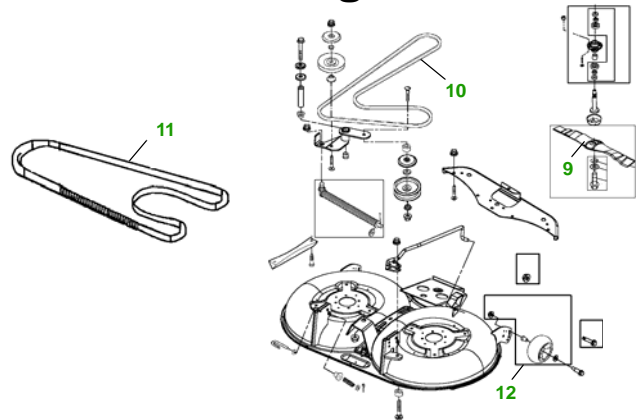
LX289 with 42M Deck

Lawn Tractor



Tractor S/N

42" Mulching Deck



Deck S/N

Key	Part No.	Description
1	AM107423	ENGINE OIL FILTER
2	AM116304	FUEL FILTER IN-LINE
3	M76076	FOAM AIR FILTER ELEMENT
	M76077	PAPER AIR FILTER ELEMENT
4	M138938	SPARK PLUG
5	M147044	BELT - TRACTION DRIVE
6	AM131841	KEY - PADDED

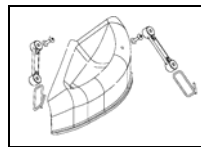
Key	Part No.	Description
	AM132500	IGNITION SWITCH
7	TY25881	BATTERY
8	AD2062R	HALOGEN HEADLIGHT BULB
9	AM130172	BLADE - KIT
10	M140502	BELT - PRIMARY
11	M150717	BELT - SECONDARY
12	AM133602	KIT - GAGE WHEEL

Service Recommendations

Qty	Part No	Item	Qty or Capacity	Change Interval in Hours
4	AM107423	Engine Oil Filter	1	25/50/150/250
1	TY22076	2 1/2 GAL. Engine Oil Turf Gard® 10W30	1.9 qt	25/50/150/250
1	TY25081	1 Gal Cool Gard Coolant	2.8 qt	200
1	AM116304	Fuel Filter	1	200
2	TY6341	JD Multi Purpose SD Polyurea Grease		As Needed

"As Needed" Parts

Qty	Part No	Item
1	M76076	Air Filter - Foam
1	M76077	Air Filter - Paper
2	M138938	Spark Plug
1	M140502	Belt - Traction Drive
1	M150717	Belt - Primary
1	M82462	Belt - Secondary
1	AM130172	Blade - Kit
1	AM131841	Key Padded
1	AM123507	Fuel Cap
1	TY15272	Mower Deck Leveling Gauge
1	TY15410	Grease Gun



Mulch Kit N/A

Dealer Name
 Contact Name
 Dealer Phone No



Home Maintenance Kit

Unit	Kit Number
LX289	LG195

