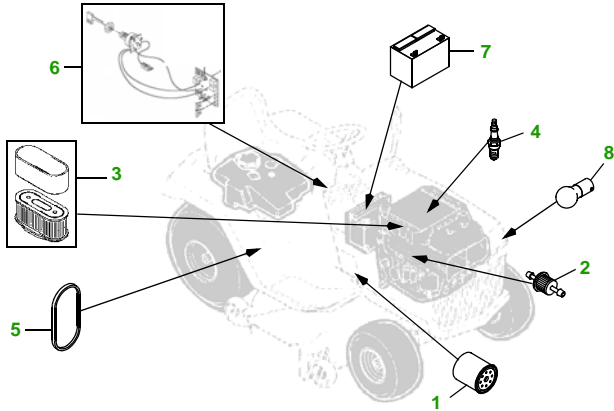


MAINTENANCE REMINDER SHEET

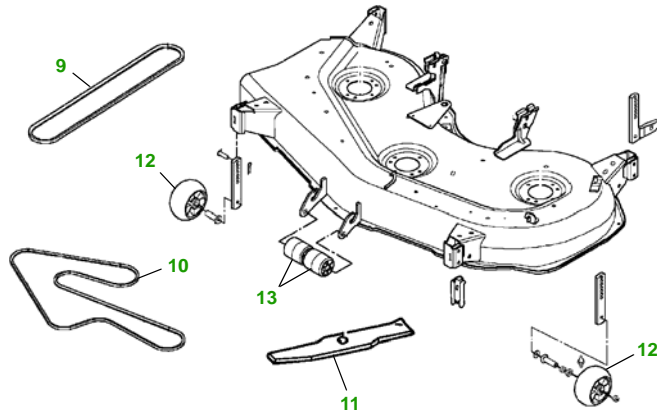
LX289 with 48C Deck

Lawn Tractor



Tractor S/N

48" Convertible Deck



Deck S/N

Key	Part No.	Description
1	AM107423	ENGINE OIL FILTER
2	AM116304	FUEL FILTER IN-LINE
3	M76076	FOAM AIR FILTER ELEMENT
	M76077	PAPER AIR FILTER ELEMENT
4	M138938	SPARK PLUG
5	M147044	BELT - TRACTION DRIVE
6	AM131841	KEY - PADDED
	AM132500	IGNITION SWITCH
7	TY25881	BATTERY

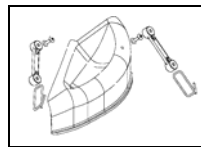
Key	Part No.	Description
8	AD2062R	HALOGEN HEADLIGHT BULB
9	M143019	BELT - PRIMARY
10	M154958	BELT - SECONDARY
11	M145476	BLADE - STANDARD
	M127673	BLADE - MULCHING
12	AM133602	GAGE WHEEL - FRONT
	AM125172	GAGE WHEEL - REAR
13	M113955	ROLLER

Service Recommendations

"As Needed" Parts

Qty	Part No	Item	Qty or Capacity	Change Interval in Hours
4	AM107423	Engine Oil Filter	1	25/50/150/250
1	TY22076	2 1/2 GAL. Engine Oil Turf Gard® 10W30	1.9 qt	25/50/150/250
1	TY25081	1 Gal Cool Gard Coolant	2.8 qt	200
1	AM116304	Fuel Filter	1	200
2	TY6341	JD Multi Purpose SD Polyurea Grease		As Needed

Qty	Part No	Item
1	M76076	Air Filter - Foam
1	M76077	Air Filter - Paper
2	M138938	Spark Plug
1	M147044	Belt - Traction Drive
1	M143019	Belt - Primary
1	M154958	Belt - Secondary
3	M145476	Blade - Standard
3	M127673	Blade - Mulching
1	AM131841	Key Padded
1	AM123507	Fuel Cap
1	TY15272	Mower Deck Leveling Gauge
1	TY15410	Grease Gun



Mulch Kit BM19868

Dealer Name
Contact Name
Dealer Phone No



Home Maintenance Kit

Unit	Kit Number
LX289	LG195

