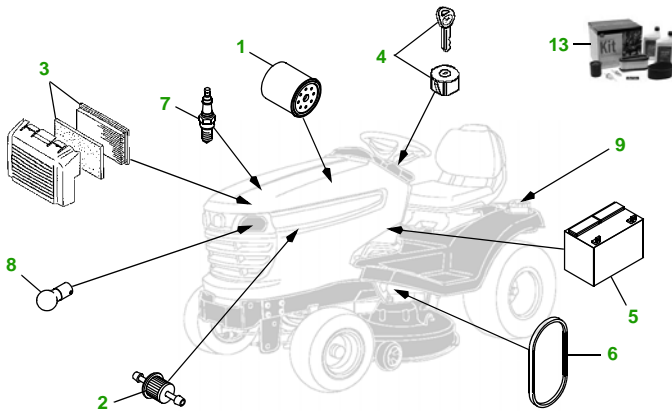


# MAINTENANCE REMINDER SHEET

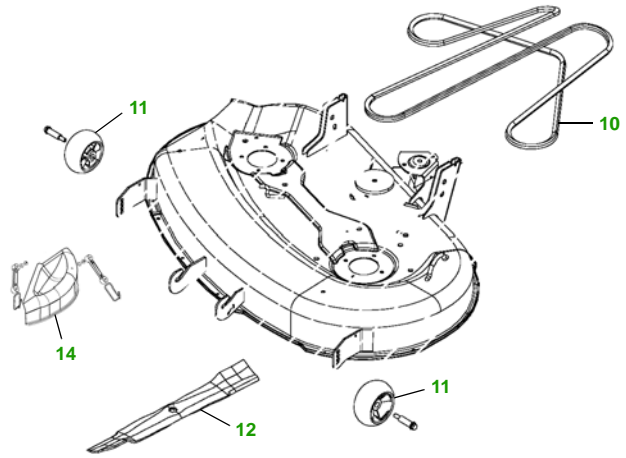
## X300 with 38" Edge Deck

### Tractor



Tractor S/N

### 38" Edge Deck



Deck S/N

Key	Part No.	Description
1	AM107423	OIL FILTER
2	GY20709	FUEL FILTER - IN-LINE
3	MIU10999	AIR FILTER - FOAM
	MIU10998	AIR FILTER - PAPER
4	GY20680	KEY - PADDED
5	TY25878	BATTERY
6	M152284	BELT - TRACTION DRIVE (S/N —040937)
	M151277	BELT - TRACTION DRIVE (S/N 040938—)
7	TY6081	SPARK PLUG

Key	Part No.	Description
8	AD2062R	HEADLIGHT BULB
9	AM137724	FUEL CAP
10	M154601	BELT - MOWER DRIVE
11	M111489	GAGE WHEEL
12	AM137324	KIT - SIDE DISCHARGE BLADE - STANDARD
	AM137326	KIT - BAGGING BLADE
	AM137325	KIT - MULCHING BLADE
13	LG256	HOME MAINTENANCE KIT
14	BM21817	TRICYCLER MULCH KIT

### Service Recommendations

Qty	Part No	Item	Qty or Capacity	Change Interval in Hours
3	AM107423	Oil Filter	1	8/100/200
6	TY22029	1 Qt. Turf Gard ® 10W30 Engine Oil	1.8 qt	8/100/200
2	MIU10999	Air Filter - Foam	1	100/200
2	MIU10998	Air Filter - Paper	1	100/200
2	GY20709	Fuel Filter	1	100/200
4	TY6081	Spark Plug	2	100/200
2	TY6341	JD Multi Purpose SD Polyurea Grease		As Needed

### "As Needed" Parts

Qty	Part No	Item
1	TY130907	Mower Deck Leveling Gauge
1	TY26183	Grease Gun

#### TO BUY PARTS VISIT:

- [www.johndeerepartshop.com](http://www.johndeerepartshop.com)

JOHNDEEREPARTSHOP.COM

#### FOR ON-LINE PARTS ASSISTANCE:

- [www.deere.com](http://www.deere.com)
  - Click on **Residential**
  - Click on **Parts**
  - Click on **Search Parts Catalog**



JOHN DEERE

#### FOR ON-LINE SERVICE ASSISTANCE:

- [www.readytomow.com](http://www.readytomow.com)



Dealer Name

Contact Name

Dealer Phone No