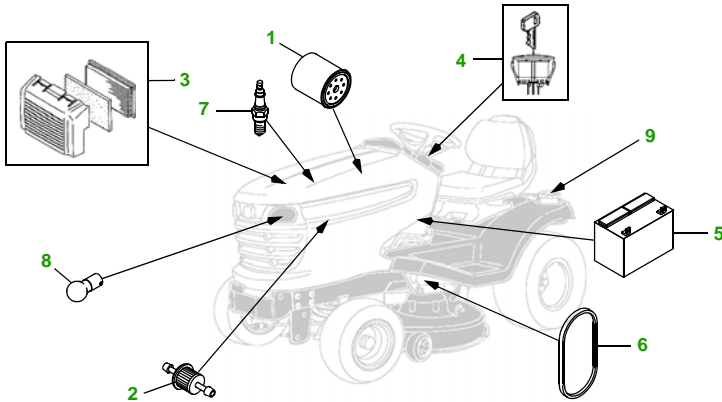


MAINTENANCE REMINDER SHEET

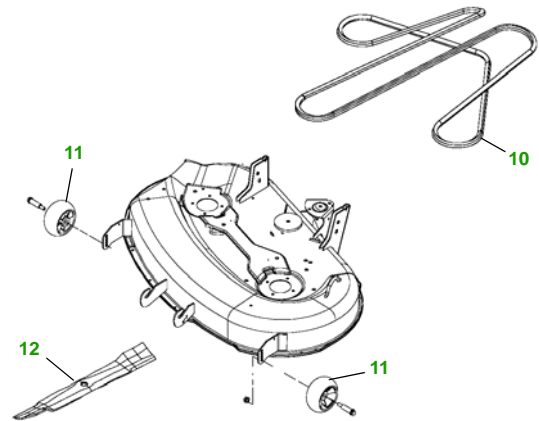
X300 with 42" Edge Deck

Tractor



Tractor S/N

42" Edge Deck



Deck S/N

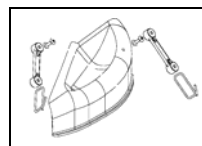
Key	Part No.	Description	Key	Part No.	Description
1	AM107423	OIL FILTER	8	AD2062R	HEADLIGHT BULB
2	AM116304	FUEL FILTER - IN-LINE	9	AM122880	FUEL CAP
3	MIU10999	AIR FILTER - FOAM	10	M154621	BELT - MOWER DRIVE
	MIU10998	AIR FILTER - PAPER	11	M111489	GAGE WHEEL
4	AM135345	KEY - PADDED	12	AM137327	KIT - SIDE DISCHARGE BLADE - STANDARD
5	TY25878	BATTERY		AM137328	KIT - MULCHING BLADE
6	M152284	BELT - TRACTION DRIVE - X300		AM137329	KIT - BAGGING BLADE
7	TY6081	SPARK PLUG			

Service Recommendations

"As Needed" Parts

Qty	Part No	Item	Qty or Capacity	Change Interval in Hours
3	AM107423	Oil Filter	1	8/100/200
6	TY22029	1 Qt Engine Oil Turf Gard @ 10W30	1.8 qt	8/100/200
2	MIU10999	Air Filter - Foam	1	100/200
2	MIU10998	Air Filter - Paper	1	100/200
2	AM116304	Fuel Filter	1	100/200
4	TY6081	Spark Plug	2	100/200
2	TY6341	JD Multi Purpose SD Polyurea Grease		As Needed

Qty	Part No	Item
1	AM137327	Kit - Side Discharge Blade - Standard
1	AM137328	Kit - Mulching Blade
1	AM137329	Kit - Bagging Blade
1	M154621	Belt - Mower Drive
1	M152284	Belt - Traction Drive
1	AM135345	Key
1	AM122880	Fuel Cap
1	TY15272	Mower Deck Leveling Gauge
1	TY15410	Grease Gun



Mulch Kit BM21816

Dealer Name
Contact Name
Dealer Phone No



Home Maintenance Kit

Unit	Kit Number
X300	LG256

