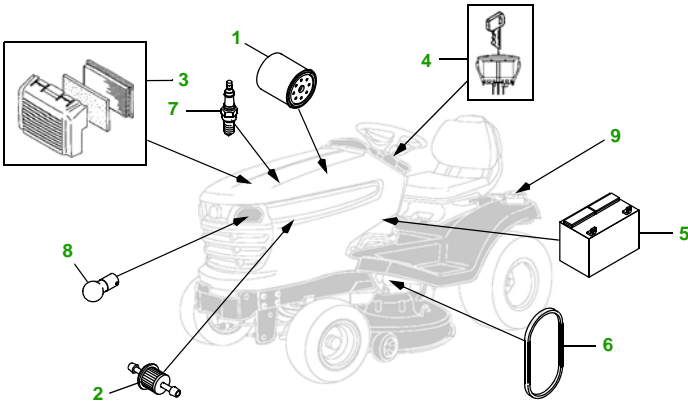


MAINTENANCE REMINDER SHEET

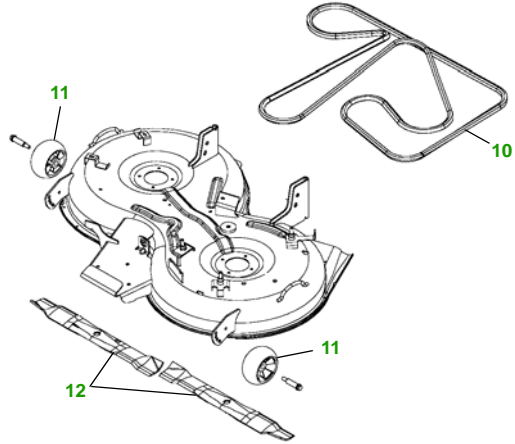
X300 with 42" Mulch Deck

Tractor



Tractor S/N

42" Mulching Deck



Deck S/N

Key	Part No.	Description
1	AM107423	OIL FILTER
2	AM116304	FUEL FILTER - IN-LINE
3	MIU10999	AIR FILTER - FOAM
	MIU10998	AIR FILTER - PAPER
4	AM135345	KEY - PADDED
5	TY25878	BATTERY
6	M152284	BELT - TRACTION DRIVE

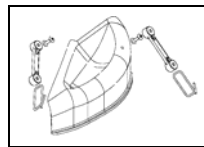
Key	Part No.	Description
7	TY6081	SPARK PLUG
8	AD2062R	HEADLIGHT BULB
9	AM122880	FUEL CAP
10	M153160	BELT - MOWER DRIVE
11	M111489	GAGE WHEEL
12	M149422	BLADE - RH
	M149421	BLADE - LH

Service Recommendations

"As Needed" Parts

Qty	Part No	Item	Qty or Capacity	Change Interval in Hours
3	AM107423	Oil Filter	1	8/100/200
6	TY22029	1 Qt Engine Oil Turf Gard @ 10W30	1.8 qt	8/100/200
2	MIU10999	Air Filter - Foam	1	100/200
2	MIU10998	Air Filter - Paper	1	100/200
2	AM116304	Fuel Filter	1	100/200
4	TY6081	Spark Plug	2	100/200
2	TY6341	JD Multi Purpose SD Polyurea Grease		As Needed

Qty	Part No	Item
1	M149422	Blade - 42" Mulching RH
1	M149421	Blade - 42" Mulching LH
1	M153160	Belt - Mower Drive
1	M152284	Belt - Traction Drive
1	AM135345	Key
1	AM122880	Fuel Cap
1	TY15272	Mower Deck Leveling Gauge
1	TY15410	Grease Gun



Mulch Kit N/A

Dealer Name
 Contact Name
 Dealer Phone No



Home Maintenance Kit

Unit	Kit Number
X300	LG256

