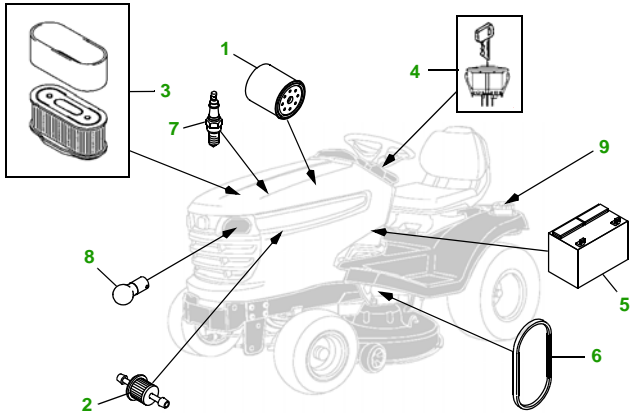


# MAINTENANCE REMINDER SHEET

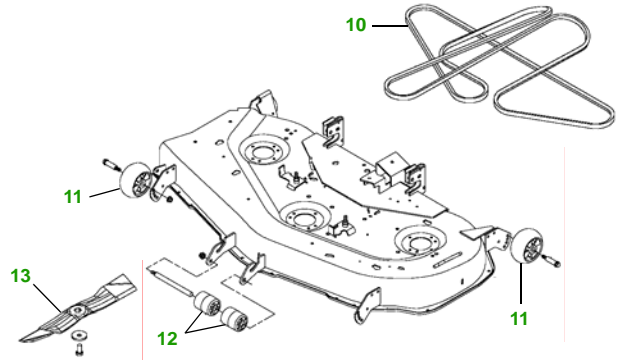
## X320, X324 with 48" X Deck (Non Rotable Wheels)

### Tractor



Tractor S/N

### 48" X Deck (Non Rotable Wheels)



Deck S/N

Key	Part No.	Description
1	AM107423	OIL FILTER
2	AM116304	FUEL FILTER - IN-LINE
3	M140295	AIR FILTER - FOAM
	M150949	AIR FILTER - PAPER
4	AM135345	KEY - PADDED
5	TY25878	BATTERY
6	M151277	BELT - TRACTION DRIVE
7	M805853	SPARK PLUG

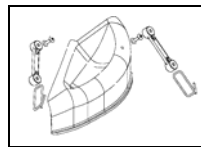
Key	Part No.	Description
8	AD2062R	HEADLIGHT BULB
9	AM122880	FUEL CAP
10	M155368	BELT - PRIMARY
11	M111489	GAGE WHEEL
12	M113955	FRONT ROLLER
13	M145476	BLADE - STANDARD
	M127673	BLADE - MULCHING

### Service Recommendations

### "As Needed" Parts

Qty	Part No	Item	Qty or Capacity	Change Interval in Hours
3	AM107423	Oil Filter	1	8/100/200
7	TY22029	1 QT. Engine Oil Turf Gard @ 10W30	2.1qt	8/100/200
2	M140295	Air Filter - Foam	1	100/200
2	M150949	Air Filter - Paper	1	100/200
2	AM116304	Fuel Filter	1	100/200
4	M805853	Spark Plug	2	100/200
2	TY6341	JD Multi Purpose SD Polyurea Grease		As Needed

Qty	Part No	Item
3	M145476	Blade - 48" Standard
3	M127673	Blade - 48" Mulching
1	M155368	Belt - Primary
1	M151277	Belt - Traction Drive
1	AM135345	Key
1	AM122880	Fuel Cap
1	TY15272	Mower Deck Leveling Gauge
1	TY15410	Grease Gun



Mulch Kit ..... BM19868

Dealer Name  
 Contact Name  
 Dealer Phone No



### Home Maintenance Kit

Unit	Kit Number
X320	LG249
X324	LG249

