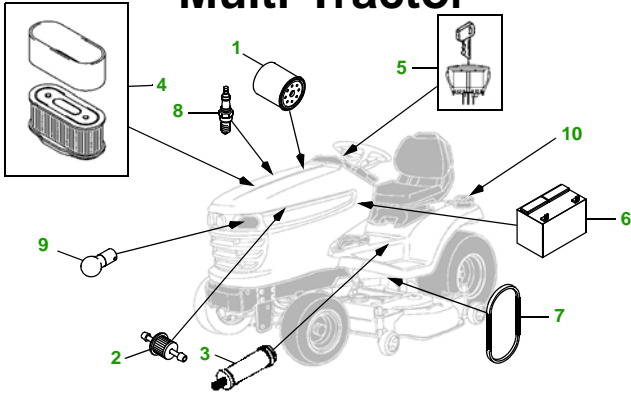


# MAINTENANCE REMINDER SHEET

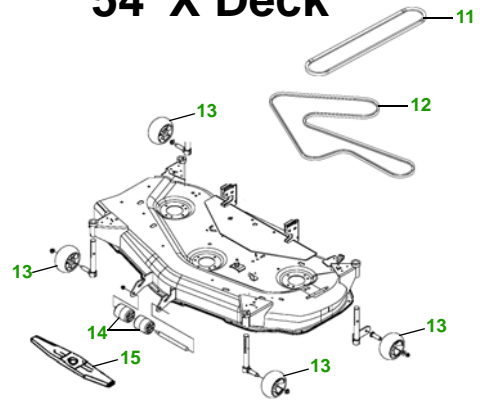
## X540 with 54" X Deck

### Multi-Tractor



Tractor S/N

### 54" X Deck



Deck S/N

| Key | Part No. | Description           |
|-----|----------|-----------------------|
| 1   | AM107423 | OIL FILTER            |
| 2   | AM116304 | FUEL FILTER - IN-LINE |
| 3   | AM131102 | TRANSMISSION FILTER   |
| 4   | M140295  | AIR FILTER - FOAM     |
|     | M150949  | AIR FILTER - PAPER    |
| 5   | AM135345 | KEY - PADDED          |
| 6   | TY25876  | BATTERY               |
| 7   | M151276  | BELT - TRACTION DRIVE |
| 8   | M805853  | SPARK PLUG            |

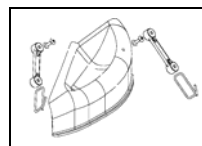
| Key | Part No. | Description      |
|-----|----------|------------------|
| 9   | AD2062R  | HEADLIGHT BULB   |
| 10  | AM122880 | FUEL CAP         |
| 11  | M154897  | BELT - PRIMARY   |
| 12  | M154960  | BELT - SECONDARY |
| 13  | M111489  | GAGE WHEEL       |
| 14  | M113955  | FRONT ROLLER     |
| 15  | M143520  | BLADE - STANDARD |
|     | M145516  | BLADE - MULCHING |

#### Service Recommendations

#### "As Needed" Parts

| Qty | Part No  | Item                                | Qty or Capacity | Change Interval in Hours |
|-----|----------|-------------------------------------|-----------------|--------------------------|
| 3   | AM107423 | Oil Filter                          | 1               | 8/100/200                |
| 8   | TY22029  | 1 Qt Engine Oil Turf Gard @ 10W30   | 2.4qt           | 8/100/200                |
| 2   | AM131102 | Transmission Filter                 | 1               | 50/200                   |
| 3   | TY22000  | 1 Gal Low Viscosity Hygard          | 5.6 qt          | 50/200                   |
| 2   | M140295  | Air Filter - Foam                   | 1               | 100/200                  |
| 2   | M150949  | Air Filter - Paper                  | 1               | 100/200                  |
| 2   | AM116304 | Fuel Filter                         | 1               | 100/200                  |
| 4   | M805853  | Spark Plug                          | 2               | 100/200                  |
| 2   | TY6341   | JD Multi Purpose SD Polyurea Grease |                 | As Needed                |

| Qty | Part No  | Item                      |
|-----|----------|---------------------------|
| 3   | M143520  | Blade - 54" Standard      |
| 3   | M145516  | Blade - 54" Mulching      |
| 1   | M154897  | Belt - Primary            |
| 1   | M154960  | Belt - Secondary          |
| 1   | M151276  | Belt - Traction Drive     |
| 1   | AM135345 | Key                       |
| 1   | AM122880 | Fuel Cap                  |
| 1   | TY15272  | Mower Deck Leveling Gauge |
| 1   | TY15410  | Grease Gun                |



Mulch Kit ..... BM20827

Dealer Name  
 Contact Name  
 Dealer Phone No



#### Home Maintenance Kit

| Unit | Kit Number |
|------|------------|
| X540 | LG257      |

