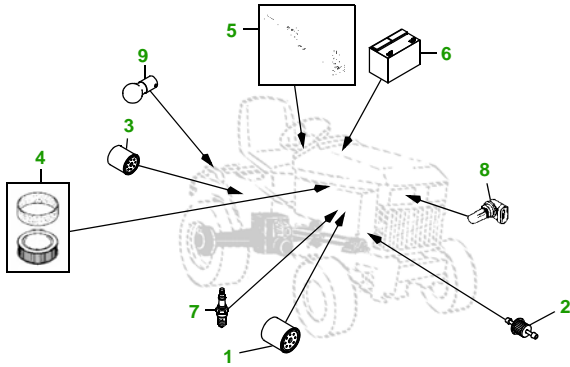


# MAINTENANCE REMINDER SHEET

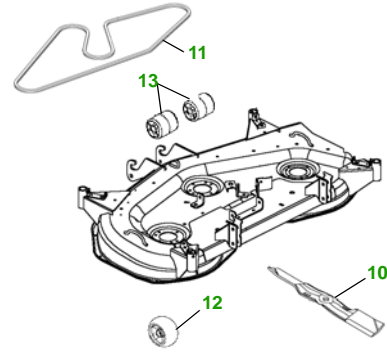
## X575 with 48C Deck

### Garden Tractor



Tractor S/N

### 48" Convertible Deck



Deck S/N

Key	Part No.	Description
1	AM107423	OIL FILTER
2	AM116304	FUEL FILTER IN-LINE
3	AM131054	TRANSAXLE OIL FILTER
4	M148207	FOAM AIR FILTER ELEMENT
	M152049	PAPER AIR FILTER ELEMENT
5	AM131841	KEY
	AM132500	IGNITION SWITCH
6	TY25221	BATTERY (DRY)

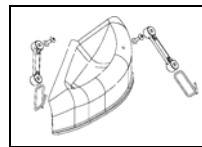
Key	Part No.	Description
7	M138938	SPARK PLUG
8	R136239	HALOGEN HEADLIGHT BULB
9	M148478	TAIL LIGHT BULB
10	M145476	BLADE - STD
	M127673	BLADE - MULCHING
11	M143888	BELT
12	AM125172	KIT - GAGE WHEEL
13	M113955	FRONT ROLLER

#### Service Recommendations

#### "As Needed" Parts

Qty	Part No	Item	Qty or Capacity	Change Interval in Hours
2	AM107423	Oil Filter	1	50/250
1	TY22076	2 1/2 Gal. Engine Oil Turf Gard @ 10W30	1.9 qt	50/250
2	AM131054	Trans Filter	1	50/250
4	TY22000	1 Gal Low Vis Hygard	4WD 7.0 qt	50/250
1	M148207	Foam Air Filter Element	1	250
1	M152049	Paper Air Filter Element	1	250
2	TY25081	1 Gal Cool Gard Pre-diluted Coolant	4.2 qt	250
2	AM116304	Fuel Filter	1	50/250
2	TY6341	JD Multi Purpose SD Polyurea Grease		As Needed

Qty	Part No	Item
2	M138938	Spark Plug
3	M145476	Blade - Standard
3	M127673	Blade - Mulching
1	M143888	Belt
1	AM131841	Key
1	AM122880	Fuel Cap
1	TY15272	Mower Deck Leveling Gauge
1	TY15410	Grease Gun



Mulch Kit ..... BM20007

Dealer Name  
Contact Name  
Dealer Phone No



#### Home Maintenance Kit

Unit	Kit Number
X575	LG245

