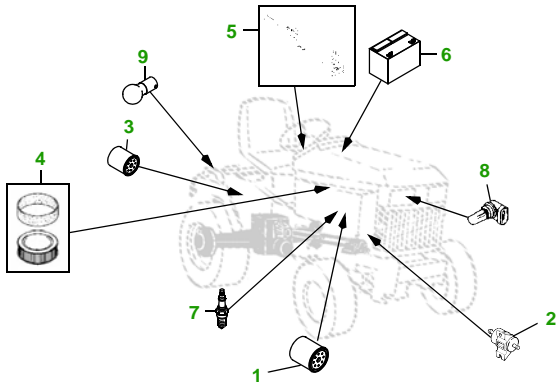


MAINTENANCE REMINDER SHEET

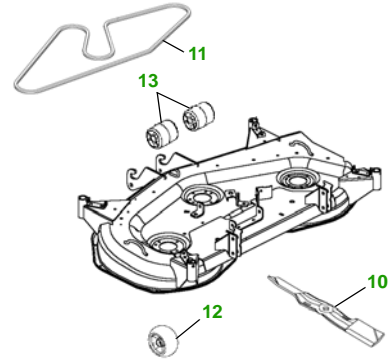
X585 with 54C Deck

Garden Tractor



Tractor S/N

54" Convertible Deck



Deck S/N

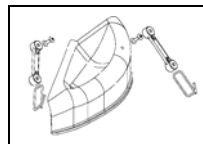
| Key | Part No. | Description | Key | Part No. | Description |
|-----|----------|--------------------------|-----|----------|------------------------|
| 1 | AM107423 | OIL FILTER | 7 | M138938 | SPARK PLUG |
| 2 | AM118131 | FUEL FILTER IN-LINE | 8 | R136239 | HALOGEN HEADLIGHT BULB |
| 3 | AM131054 | TRANSAXLE OIL FILTER | 9 | M148478 | TAIL LIGHT BULB |
| 4 | M148207 | FOAM AIR FILTER ELEMENT | 10 | M143520 | BLADE - STD |
| | M152049 | PAPER AIR FILTER ELEMENT | | M145516 | BLADE - MULCHING |
| 5 | AM131841 | KEY | 11 | M141627 | BELT |
| | AM132500 | IGNITION SWITCH | 12 | AM125172 | KIT - GAGE WHEEL |
| 6 | TY25221 | BATTERY (DRY) | 13 | M113955 | FRONT ROLLER |

Service Recommendations

| Qty | Part No | Item | Qty or Capacity | Change Interval in Hours |
|-----|----------|---|-----------------|--------------------------|
| 2 | AM107423 | Oil Filter | 1 | 50/250 |
| 1 | TY22076 | 2 1/2 Gal. Engine Oil Turf Gard @ 10W30 | 1.9 qt | 50/250 |
| 2 | AM131054 | Trans Filter | 1 | 50/250 |
| 4 | TY22000 | 1 Gal Low Vis Hygard | 4WD 7.0 qt | 50/250 |
| 1 | M148207 | Foam Air Filter Element | 1 | 250 |
| 1 | M152049 | Paper Air Filter Element | 1 | 250 |
| 2 | TY25081 | 1 Gal Cool Gard Pre-diluted Coolant | 4.2 qt | 250 |
| 2 | TY6341 | JD Multi Purpose SD Polyurea Grease | | As Needed |

"As Needed" Parts

| Qty | Part No | Item |
|-----|----------|---------------------------|
| 1 | AM118131 | Fuel Filter |
| 2 | M138938 | Spark Plug |
| 3 | M143520 | Blade - Standard |
| 3 | M145516 | Blade - Mulching |
| 1 | M141627 | Belt |
| 1 | AM131841 | Key |
| 1 | AM122880 | Fuel Cap |
| 1 | TY15272 | Mower Deck Leveling Gauge |
| 1 | TY15410 | Grease Gun |



Mulch Kit BM20827

Dealer Name
Contact Name
Dealer Phone No



Home Maintenance Kit

| Unit | Kit Number |
|------|------------|
| X585 | LG245 |

