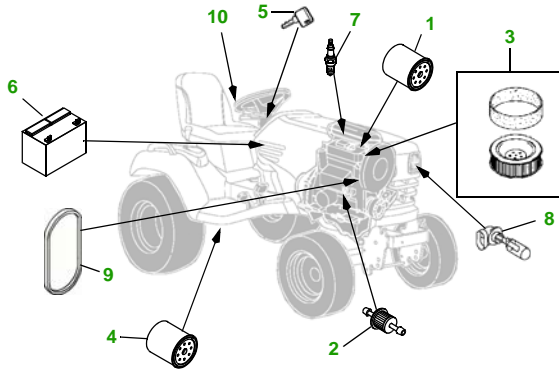


MAINTENANCE REMINDER SHEET

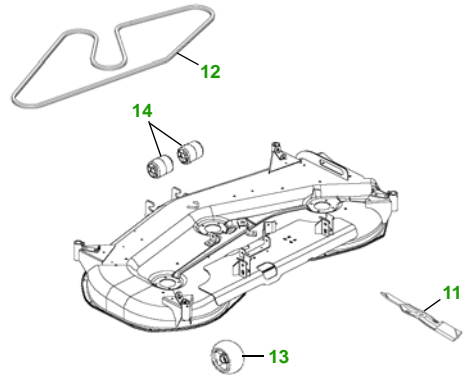
X700 with 62C Deck

Ultimate Tractor



Tractor S/N

62" Convertible Deck



Deck S/N

Key	Part No.	Description
1	AM107423	OIL FILTER
2	AM116304	FUEL FILTER - S/N —020000
	AM136739	FUEL FILTER - S/N 020001—
3	M148207	AIR FILTER - FOAM
	M152049	AIR FILTER - PAPER
4	AM131054	TRANSMISSION FILTER
5	AM131841	KEY - PADDED
6	TY25221	BATTERY
7	M138938	SPARK PLUG

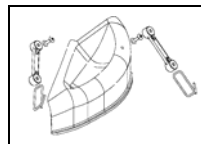
Key	Part No.	Description
8	AM118013	HEADLIGHT BULB
9	M97340	FAN BELT
10	AM122880	FUEL CAP
11	M143504	BLADE - STD
	M145719	BLADE - MULCHING
12	M142997	BELT
13	AM125172	KIT - GAGE WHEEL
14	M113955	FRONT ROLLER

Service Recommendations

"As Needed" Parts

Qty	Part No	Item	Qty or Capacity	Change Interval in Hours
3	AM107423	Oil Filter	1	8/100/200
2	TY22008	1 Gal. JD Plus 50 15W40 Engine Oil	1.9 qt	8/100/200
1	AM131054	Transmission Filter	1	200
2	TY22000	1 Gal Low Vis Hygard	6 qt (AWS) 7 qt (2WS)	200
1	M148207	Air Filter - Foam	1	200
1	M152049	Air Filter - Paper	1	200
2	AM116304	Fuel Filter S/N —020000	1	50/200
2	AM136739	Fuel Filter S/N 020001—		
2	M138938	Spark Plug	2	200
2	TY6341	JD Multi Purpose SD Polyurea Grease		As Needed

Qty	Part No	Item
3	M143504	Blade - 62" Standard
3	M145719	Blade - 62" Mulching
3	M152727	Blade - 62" High Lift
1	M97340	Fan Belt
1	M142997	Belt - Mower Drive (Secondary 62")
1	AM131841	Key - Padded
1	AM122880	Fuel Cap
1	TY15272	Mower Deck Leveling Gauge
1	TY15410	Grease Gun



Mulch Kit BM21890

Dealer Name
 Contact Name
 Dealer Phone No



Home Maintenance Kit

Unit	Kit Number
X700	LG245

