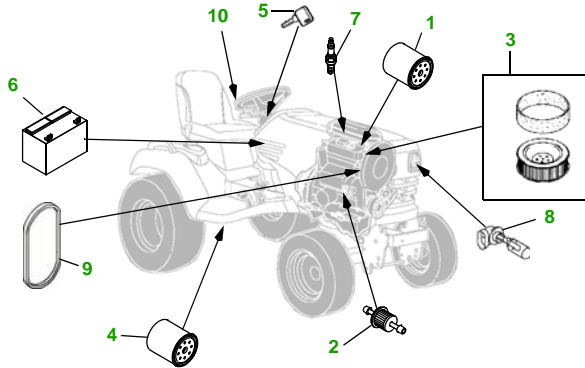


MAINTENANCE REMINDER SHEET

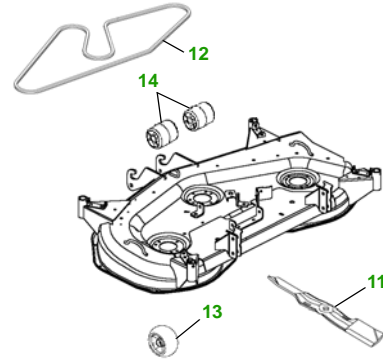
X724 with 48C Deck

Ultimate Tractor



Tractor S/N

48" Convertible Deck



Deck S/N

Key	Part No.	Description
1	AM107423	OIL FILTER
2	AM117584	FUEL FILTER - IN-LINE
3	M148207	AIR FILTER - FOAM
	M152049	AIR FILTER - PAPER
4	AM131054	TRANSMISSION FILTER
5	AM131841	KEY - PADDED
6	TY25221	BATTERY
7	M138938	SPARK PLUG
8	AM118013	HEADLIGHT BULB

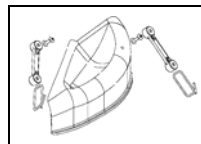
Key	Part No.	Description
9	M147344	FAN BELT
	M153381	FAN BELT (OPTION)
10	AM122880	FUEL CAP
11	M145476	BLADE - STD
	M127673	BLADE - MULCHING
12	M143888	BELT
13	AM125172	KIT - GAGE WHEEL
14	M113955	FRONT ROLLER

Service Recommendations

"As Needed" Parts

Qty	Part No	Item	Qty or Capacity	Change Interval in Hours
3	AM107423	Oil Filter	1	8/100/200
2	TY22008	1 Gal. JD Plus 50 15W40 Engine Oil	1.9 qt	8/100/200
1	AM131054	Transmission Filter	1	200
2	TY22000	1 Gal Low Vis Hygard	6 qt (AWS) 7 qt (2WS)	200
1	M148207	Air Filter - Foam	1	200
1	M152049	Air Filter - Paper	1	200
2	AM117584	Fuel Filter	1	50/200
2	M138938	Spark Plug	2	200
2	TY6341	JD Multi Purpose SD Polyurea Grease		As Needed

Qty	Part No	Item
3	M145476	Blade - 48" Standard
3	M127673	Blade - 48" Mulching
1	M147344	Fan Belt
1	M153381	Fan Belt (Option)
1	M143888	Belt - Mower Drive (Secondary 48")
1	AM131841	Key - Padded
1	AM122880	Fuel Cap
1	TY15272	Mower Deck Leveling Gauge
1	TY15410	Grease Gun



Mulch Kit BM20007

Dealer Name
Contact Name
Dealer Phone No



Home Maintenance Kit

Unit	Kit Number
X724	LG245

