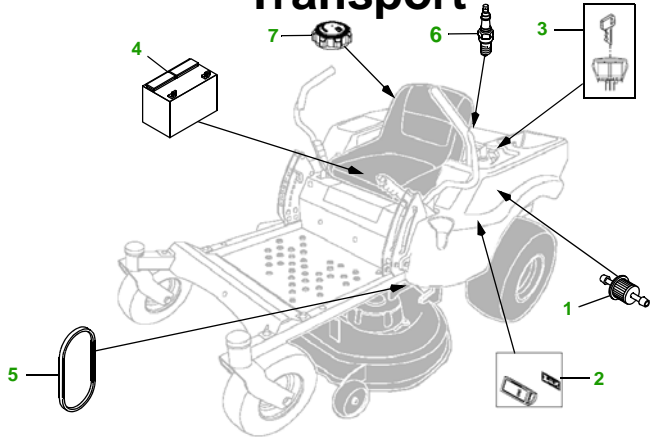


# MAINTENANCE REMINDER SHEET

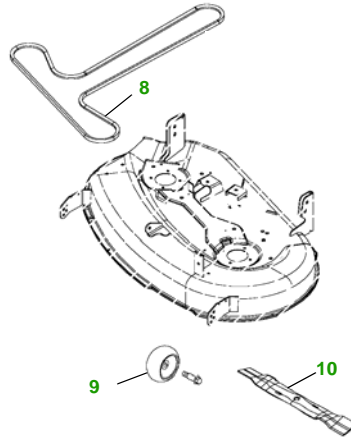
## Z225 with 42" Deck

### Transport



Transport S/N

### 42" Deck



Deck S/N

Key	Part No.	Description
1	AM116304	FUEL FILTER - IN-LINE
	GY20709	FUEL FILTER (PACKAGE)
2	GY20573	AIR FILTER - KIT (PACKAGE)
3	GY20680	KEY (PACKAGE)
	TCA15075	IGNITION SWITCH
4	TY25878	BATTERY
5	M155343	BELT - TRANSAXLE DRIVE
6	M78543	SPARK PLUG

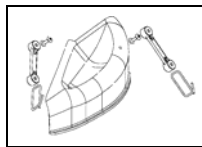
Key	Part No.	Description
7	AM122880	FUEL CAP
8	M154294	BELT - MOWER
9	GX10168	GAGE WHEEL
10	AM137333	KIT - 3N1 BLADE 42"
	AM137328	KIT - MULCHING 42"
	AM137329	KIT - BAGGING 42"
	AM137327	KIT - SIDE DISCHARGE 42"
	GY20850	BLADE - (PKG) (PACKAGED QTY - 2 BLADES)

### Service Recommendations

### "As Needed" Parts

Qty	Part No	Item	Qty or Capacity	Change Interval in Hours
1	TY22076	2 1/2 Gal. Engine Oil Turf Gard® 10W30	1.3 qt	8/50/100/150/200/250
2	GY20573	Air Filter-Kit		100/200
2	AM116304	Fuel Filter		100/200
2	M78543	Spark Plug	1	100/200
2	TY6341	JD Multi Purpose SD Polyurea Grease		As Needed

Qty	Part No	Item
1	AM137333	Kit - 3N1 Blade 42"
1	AM137328	Kit - Mulch 42"
1	AM137329	Kit - Bagging 42"
1	AM137327	Kit - Side Discharge 42"
1	M155343	Belt - Transaxle Drive
1	M154294	Belt - Mower
1	AM131841	Key Padded
1	AM122880	Fuel Cap
1	TY15272	Mower Deck Leveling Gauge
1	TY15410	Grease Gun



Mulch Kit ..... BM21816

Dealer Name  
Contact Name  
Dealer Phone No



### Home Maintenance Kit

Unit	Kit Number
Z225	LG251

