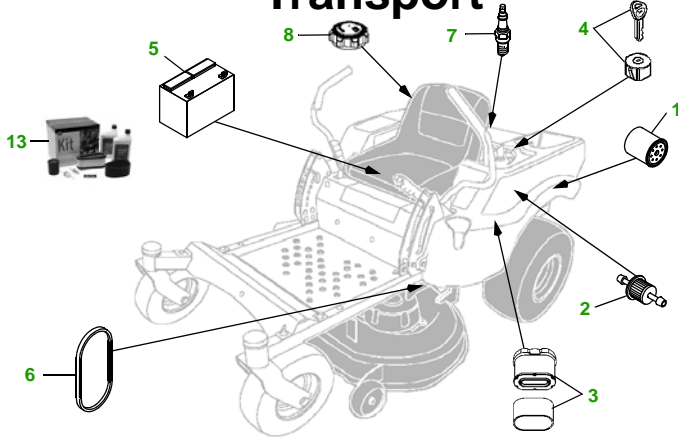


MAINTENANCE REMINDER SHEET

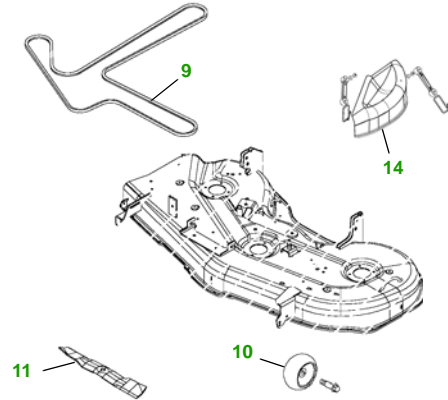
Z245 with 48" Edge Deck

Transport



Transport S/N

48" Edge Deck



Deck S/N

Key	Part No.	Description
1	GY20577	OIL FILTER (PACKAGE)
2	GY20709	FUEL FILTER - IN-LINE
3	GY21055	AIR FILTER - CARTRIDGE
4	AM125504	KEY PADDED
	TCA15075	IGNITION SWITCH
5	TY25878	BATTERY
6	M155343	BELT - TRANSAXLE DRIVE
7	M78543	SPARK PLUG

Key	Part No.	Description
8	AM122880	FUEL CAP
9	M154621	BELT - MOWER
10	GX10168	GAGE WHEEL
11	AM137757	BLADE KIT - 3 N 1
12	AM137758	BLADE KIT - BAGGING
13	LG263	HOME MAINTENANCE KIT (S/N —40000)
	LG264	HOME MAINTENANCE KIT (S/N 40001—)
14	GY20417	MULCH KIT

Service Recommendations

Qty	Part No	Item	Qty or Capacity	Change Interval in Hours
6	GY20577	Oil Filter	1	8/50/100/150/200/250
11	TY22029	1 Qt. Turf Gard® 10W30 Engine Oil	1.8 qt	8/50/100/150/200/250
2	GY21055	Air Filter- Cartridge	1	100/200
2	GY20709	Fuel Filter	1	100/200
4	M78543	Spark Plug	2	100/200
2	TY6341	JD MP SD Polyurea Grease		As Needed

"As Needed" Parts

Qty	Part No	Item
1	AM130907	Mower Deck Leveling Gauge
1	TY26183	Grease Gun

TO BUY PARTS VISIT:

- www.johndeerepartshop.com

JOHNDEEREPARTSHOP.COM

FOR ON-LINE PARTS ASSISTANCE:

- www.deere.com
 - Click on **Residential**
 - Click on **Parts**
 - Click on **Search Parts Catalog**



JOHN DEERE

FOR ON-LINE SERVICE ASSISTANCE:

- www.readytomow.com



Dealer Name

Contact Name

Dealer Phone No