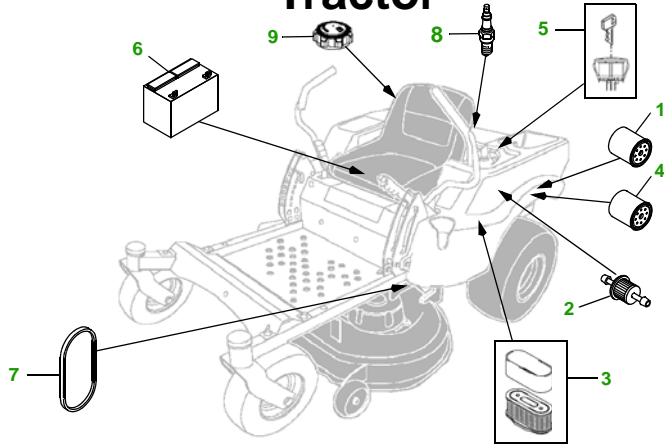


# MAINTENANCE REMINDER SHEET

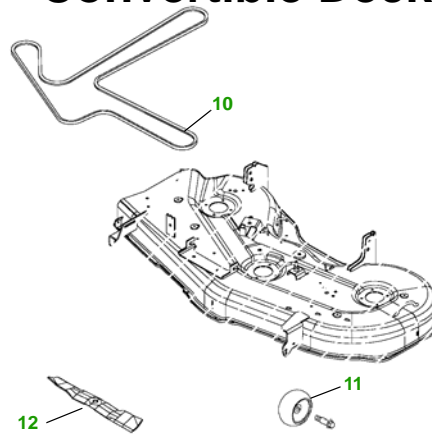
## Z445 with 54C Deck

### Tractor



Transport S/N

### 54" Convertible Deck



Deck S/N

Key	Part No.	Description
1	AM107423	OIL FILTER
2	AM116304	FUEL FILTER - IN-LINE
	GY20709	FUEL FILTER (PACKAGE)
3	M140295	AIR FILTER - FOAM
	M150949	AIR FILTER - PAPER
4	AM131054	HYDRAULIC FILTER
5	GY20680	KEY (PACKAGE)
	TCA15075	IGNITION SWITCH
6	TY25878	BATTERY

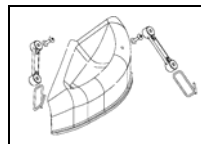
Key	Part No.	Description
7	M154157	BELT - HYDRO DRIVE
	M146479	BELT - POWER FLO
8	M805853	SPARK PLUG
9	AM122880	FUEL CAP
10	M154296	BELT - MOWER
11	GX10168	GAGE WHEEL
12	M143520	BLADE - STANDARD
	M152726	BLADE - HI LIFT
	M145516	BLADE - MULCHING

### Service Recommendations

### "As Needed" Parts

Qty	Part No	Item	Qty or Capacity	Change Interval in Hours
6	AM107423	Oil Filter		8/50/100/150/200/250
1	TY22076	2 1/2 Gal. Engine Oil Turf Gard ® 10W30	1.6 qt	8/50/100/150/200/250
2	M140295	Air Filter- Foam		100/200
2	M150949	Air Filter- Paper		100/200
2	AM116304	Fuel Filter		100/200
4	M805853	Spark Plug	2	100/200
2	TY6341	JD Multi Purpose SD Polyurea Grease		As Needed

Qty	Part No	Item
3	M143520	Blade - Standard
3	M152726	Blade - Hi Lift
3	M145516	Blade - Mulching
1	M154157	Belt - Hydro Drive
1	M146479	Belt - Power Flo
1	M154296	Belt - Mower
1	GY20680	Key Padded
1	AM122880	Fuel Cap
1	TY15272	Mower Deck Leveling Gauge
1	TY15410	Grease Gun



Mulch Kit ..... BM20827

Dealer Name  
Contact Name  
Dealer Phone No



### Home Maintenance Kit

Unit	Kit Number
Z445	LG249

