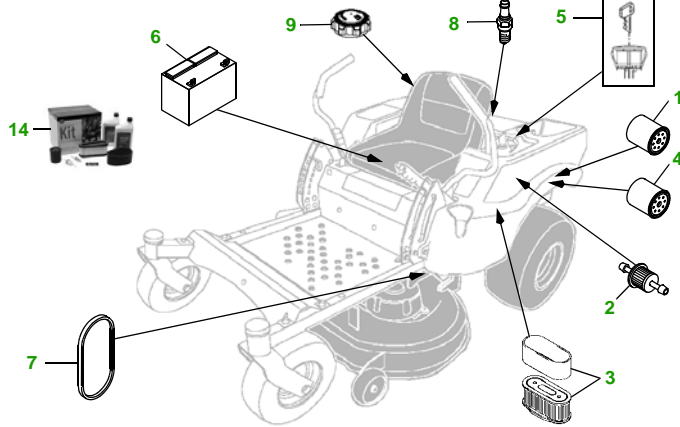


MAINTENANCE REMINDER SHEET

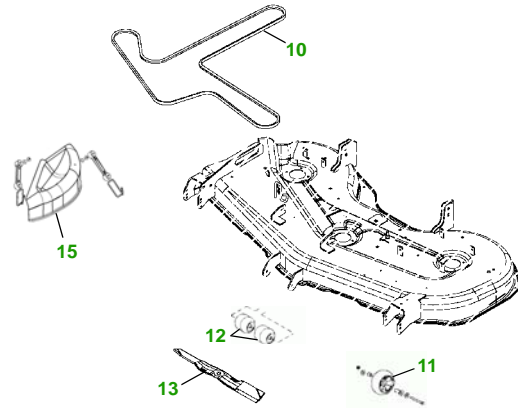
Z465 with 62" Edge Deck

Tractor



Transport S/N

62" Edge Deck



Deck S/N

Key No.	Description
1	AM107423..... OIL FILTER
2	GY20709..... FUEL FILTER - IN-LINE
3	M140295..... AIR FILTER - FOAM
4	M150949..... AIR FILTER - PAPER
5	AM125504..... KEY
6	TCA15075..... IGNITION SWITCH
7	TY25878..... BATTERY
8	M154157..... BELT - HYDRO DRIVE
8	M805853..... SPARK PLUG

Key No.	Description
9	AM122880..... FUEL CAP
10	M156261..... BELT - MOWER
11	TCU18744..... GAGE WHEEL
12	M113955..... ROLLER
13	M158112..... BLADE - STANDARD
13	M145719..... BLADE - MULCHING
14	LG249..... HOME MAINTENANCE KIT
15	BM21890..... MULCH KIT

Service Recommendations

Qty	Part No	Item	Qty or Capacity	Change Interval in Hours
6	AM107423	Oil Filter	1	8/50/100/150/200/250
10	TY22029	1 Qt. Turf Gard® 10W30 Engine Oil	1.6 qt	8/50/100/150/200/250
2	M140295	Air Filter- Cartridge	1	100/200
2	M150949	Air Filter- Pre Cleaner	1	100/200
2	GY20709	Fuel Filter	1	100/200
4	M805853	Spark Plug	2	100/200
2	TY6341	JD Multi Purpose SD Polyurea Grease		As Needed

"As Needed" Parts

Qty	Part No	Item
1	AM130907	Mower Deck Leveling Gauge
1	TY26183	Grease Gun

TO BUY PARTS VISIT:

- www.johndeerepartshop.com

JOHNDEEREPARTSHOP.COM

FOR ON-LINE PARTS ASSISTANCE:

- www.deere.com
 - Click on **Residential**
 - Click on **Parts**
 - Click on **Search Parts Catalog**



FOR ON-LINE SERVICE ASSISTANCE:

- www.readytomow.com

Dealer Name
 Contact Name
 Dealer Phone No