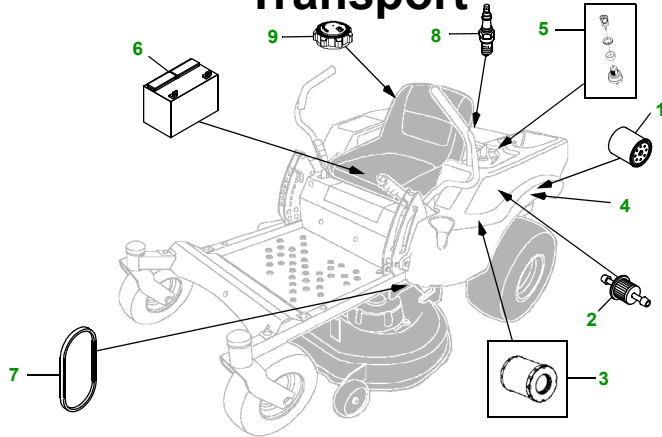


# MAINTENANCE REMINDER SHEET

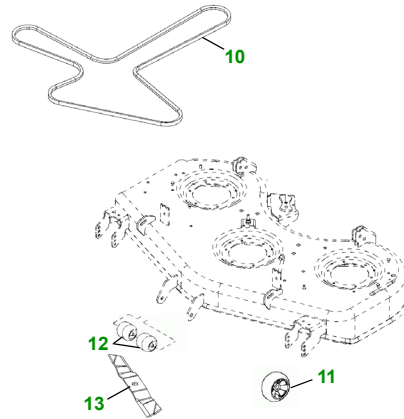
## Z655 with 54" High Capacity Deck

### Transport



Transport S/N

### 54" High Capacity Deck



Deck S/N

Key No.	Description
1	AM125424 ..... OIL FILTER
2	AM116304 ..... FUEL FILTER - IN-LINE GY20709 ..... FUEL FILTER (PACKAGE)
3	MIU13120 ..... AIR FILTER
4	AM141585 ..... INTEGRATED HYDRAULIC FILTER (NOT SHOWN)
5	AM125504 ..... KEY (PADDED) TCA15075 ..... IGNITION SWITCH
6	TY25878 ..... BATTERY
7	M160956 ..... BELT - HYDRO DRIVE

Key No.	Description
8	MIU11020 ..... SPARK PLUG
9	M141161 ..... FUEL CAP
10	M156261 ..... BELT - MOWER
11	TCU18744 ..... GAGE WHEEL
12	M113955 ..... ROLLER
13	M130816 ..... BLADE - HIGH LIFT M145516 ..... BLADE - MULCHING

#### Service Recommendations

#### Service Recommendations (Continued)

Qty	Part No	Item	Qty or Capacity	Change Interval in Hours
6	AM125424	Oil Filter		8/50/100/150/200/250
2	TY22076	2 1/2 Gal. Engine Oil Turf Gard® 10W30	1.75 qt	8/50/100/150/200/250
1	M141585	Hydraulic Filter		50
2	TY22000	1 Gal John Deere Low Vis Hygard	2.0 gal	50
2	MIU13120	Air Filter		100/200
2	GY20709	Fuel Filter		100/200

Qty	Part No	Item	Qty or Capacity	Change Interval in Hours
4	MIU11020	Spark Plug	2	100/200
2	TY6341	JD Multi Purpose SD Polyurea Grease		As Needed

#### "As Needed" Parts

Qty	Part No	Item
1	TY15272	Mower Deck Leveling Gauge
1	TY15410	Grease Gun

#### FOR ON-LINE PARTS ASSISTANCE:

[www.JDParts.Deere.com](http://www.JDParts.Deere.com)



- VIEW [John Deere Parts Catalog](#) to look-up part numbers
- ORDER parts on-line from your [John Deere Dealer](#)
- SEARCH for parts for [YOUR specific model](#)
- SEARCH for parts by [Partial Part Number](#)

[www.Deere.com](http://www.Deere.com)

- PRINT [Valuable Parts Coupons](#) for discounts at your John Deere Dealer
- REVIEW John Deere [Parts Quality Stories](#)
- SEE a complete list of all [Home Maintenance Kits](#)
- CONSIDER [Quick Reference Guides](#) for your commercial equipment

#### FOR ON-LINE SERVICE ASSISTANCE:

[www.Deere.com](http://www.Deere.com)

- VIEW [Technical \(Service\) Publications and Operator's Manuals](#)
- SELECT the desired [Maintenance Plan](#) that is right for you
- UNDERSTAND the [John Deere Warranty](#) on your equipment

#### OTHER SITES:

- SEARCH [Home & Workshop Products](#) off the Residential section at Deere.com.
- GO TO [www.johndeerecredit.com](http://www.johndeerecredit.com) to find your finance solution
- FIND the mower that is right for you through our [JD Mower Selection Tool](#)
- GO TO [www.johndeeregifts.com](http://www.johndeeregifts.com) to stop by John Deere's "General Store"

Mulch Kit ..... N/A

Dealer Name  
Contact Name  
Dealer Phone No



#### Home Maintenance Kit

Unit	Kit Number
Z655	LG269

